

GRIPGEAR™

DIRECTORS SET

**ELECTRONIC & MANUAL SLIDER + 360 DEGREE PANORAMIC FUNCTION
+ 9-SPEEDS ELECTRONIC DOLLY + MANUAL FUNCTION**

SOCIAL MEDIA:
@GRIPGEARGLOBAL

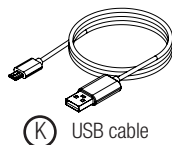
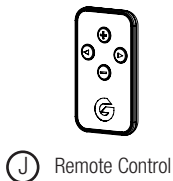
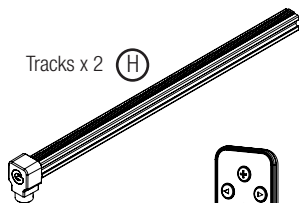
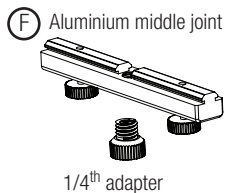
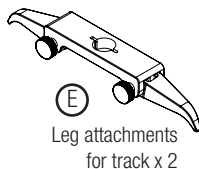
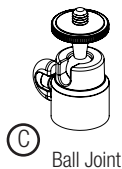
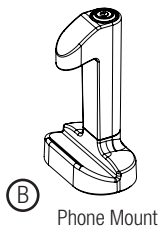
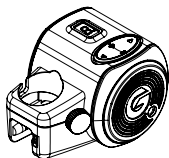


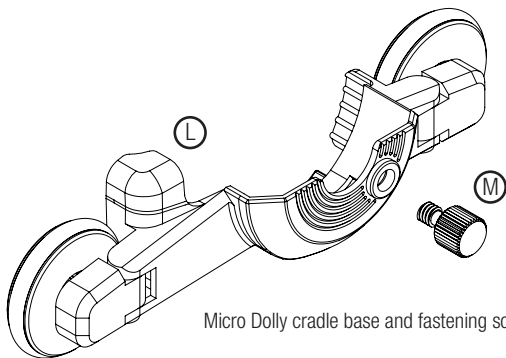
CUSTOMER CARE EMAIL: SERVICE@GRIPGEAR.COM
GRIPGEAR.COM TAG US: #SMALLCAMSCAN #GRIPGEARGLOBAL #GRIPGEAR

WHAT'S INCLUDED

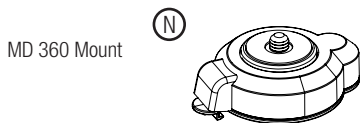
Congratulations on acquiring your Directors Set! If you have any questions regarding the parts, set up or usage please email us anytime, we are happy to help! Email: gripgear@gripgear.com

(A) Movie Maker 2

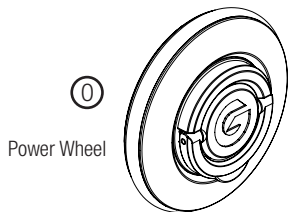




Micro Dolly cradle base and fastening screw

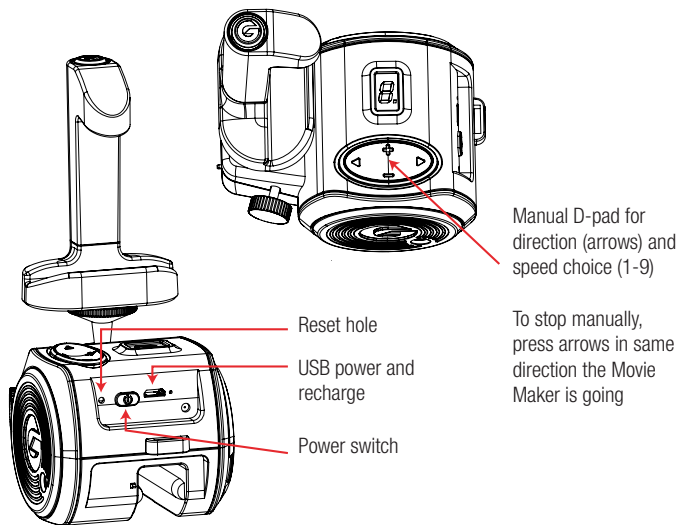


MD 360 Mount



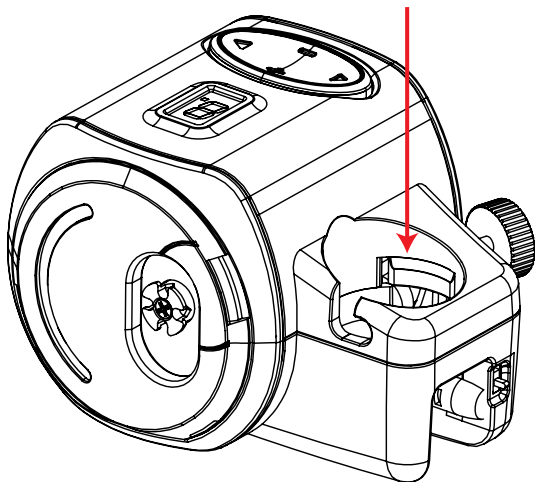
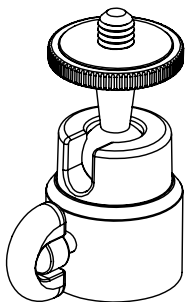
Power Wheel

POWER OPTIONS / D-PAD

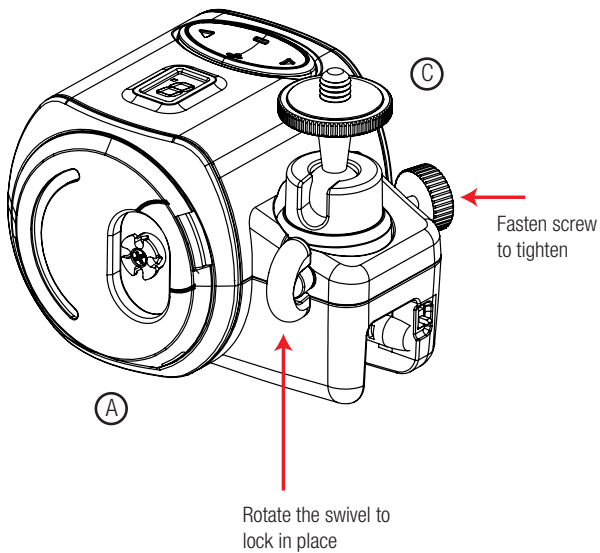


SLIDER MODE: STEP 1

③ Install Ball Joint

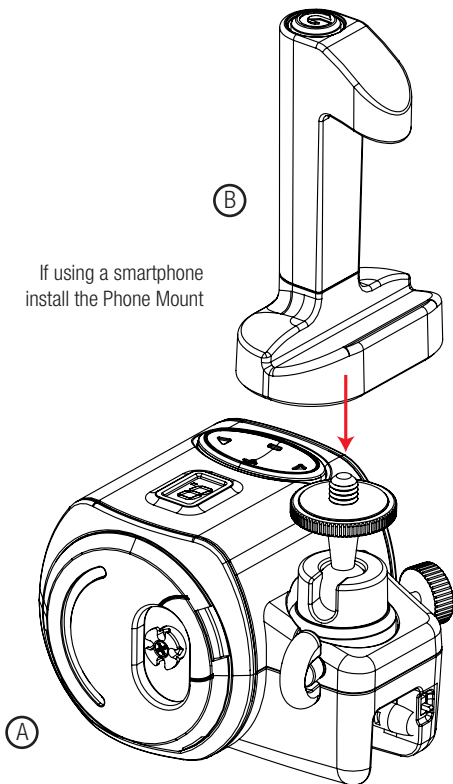


STEP 2

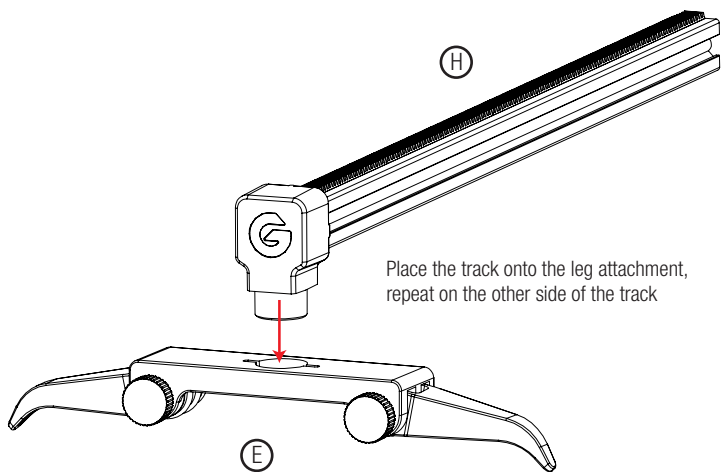


STEP 3

If using a smartphone
install the Phone Mount

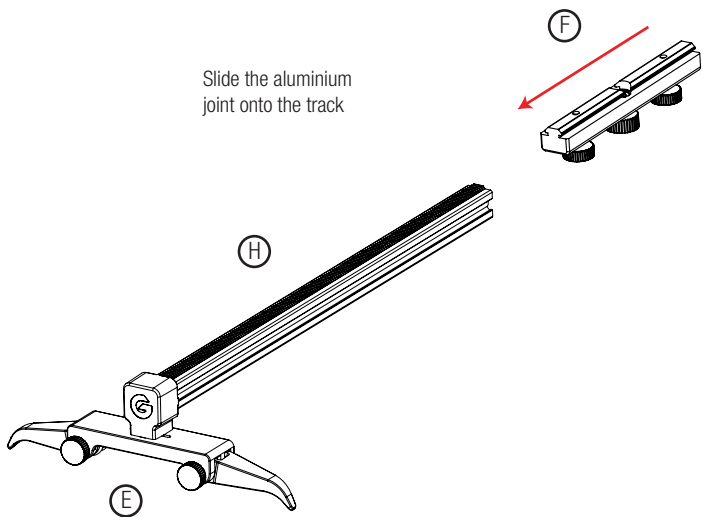


STEP 4



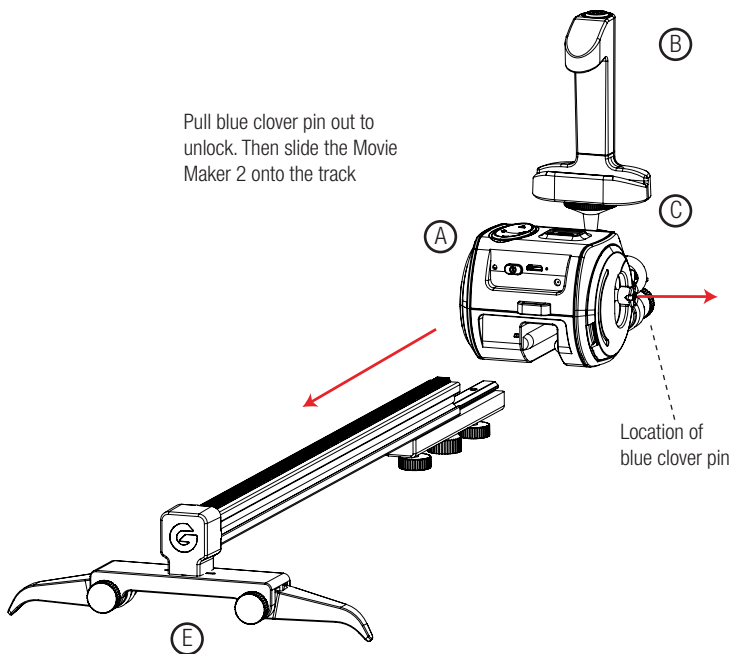
STEP 5

Slide the aluminium joint onto the track

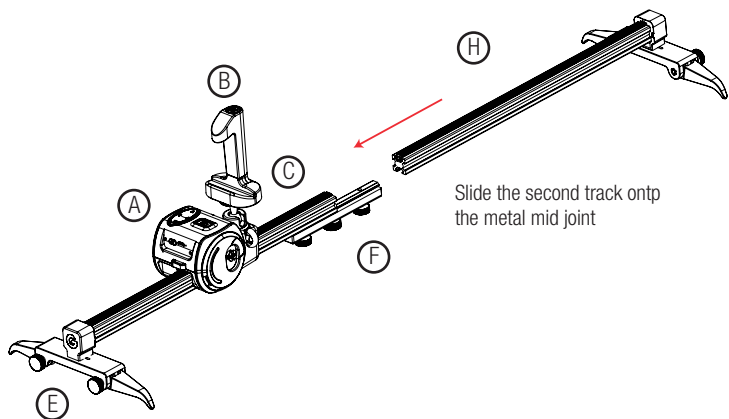


STEP 6

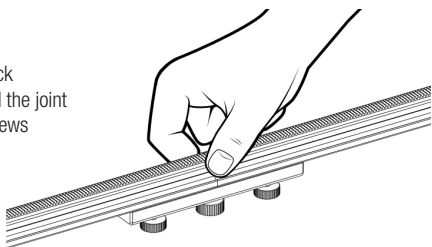
Pull blue clover pin out to unlock. Then slide the Movie Maker 2 onto the track



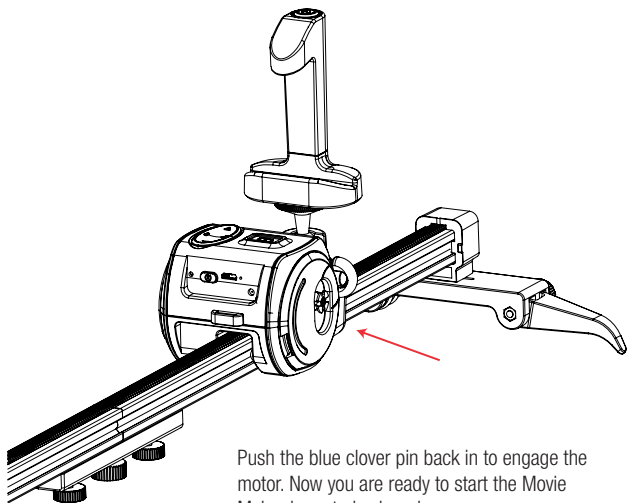
STEP 7



For optimal track alignment, hold the joint then fasten screws

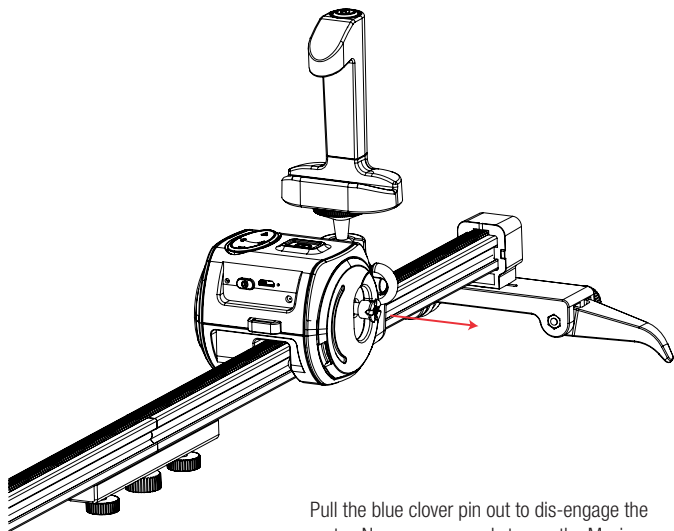


MOTORIZED MODE



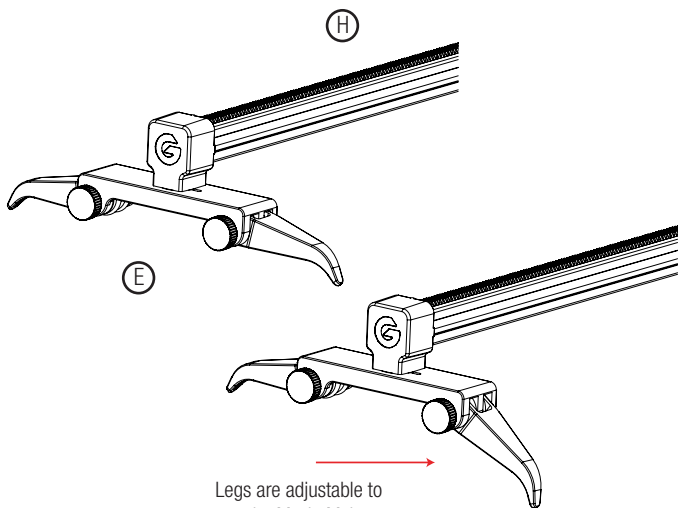
Push the blue clover pin back in to engage the motor. Now you are ready to start the Movie Maker in motorized mode.

MANUAL MODE



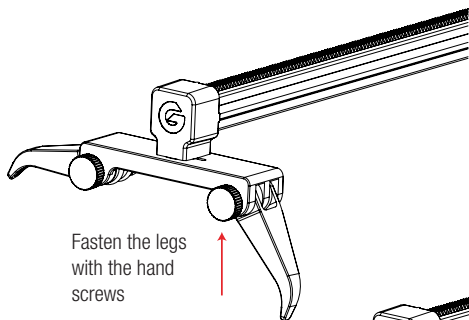
Pull the blue clover pin out to dis-engage the motor. Now you are ready to use the Movie Maker in manual mode.

ADJUSTING THE LEGS

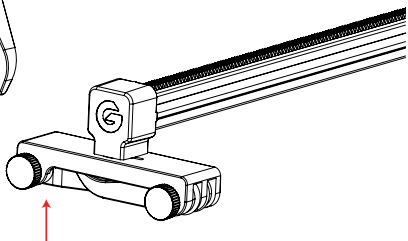


Legs are adjustable to
use the Movie Maker on
uneven ground

FOLDING THE LEGS

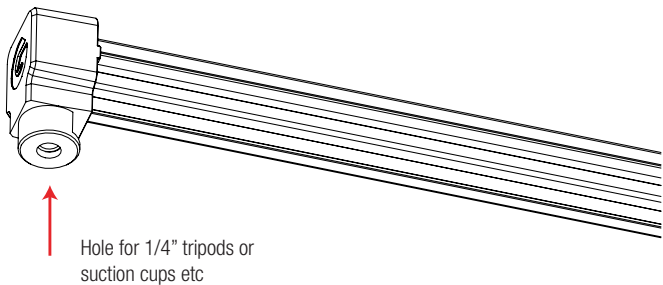


Fasten the legs
with the hand
screws

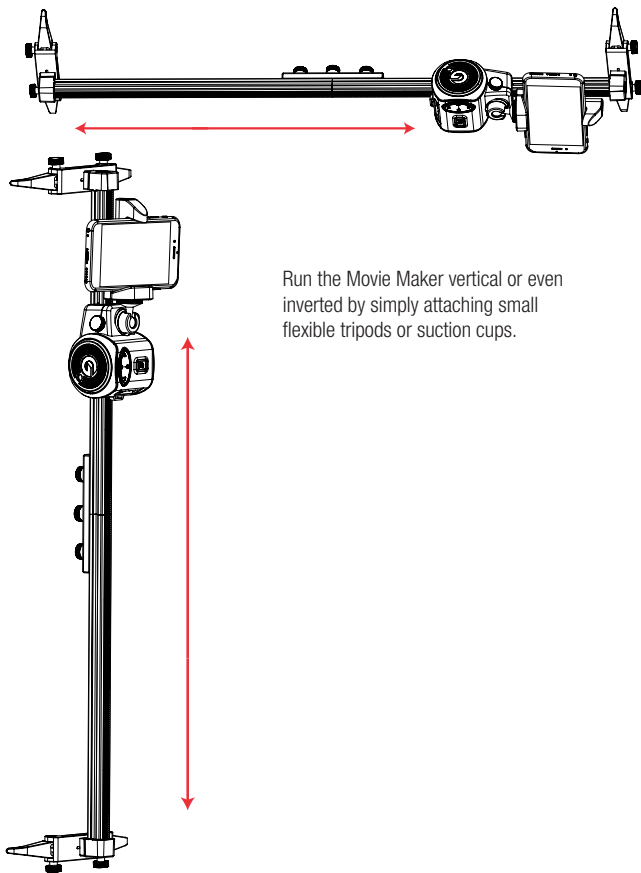


Fold the legs fully inside when
using the Movie Maker on a flat surface

1/4" COMPATIBILITY AT ALL TOUCHPOINTS



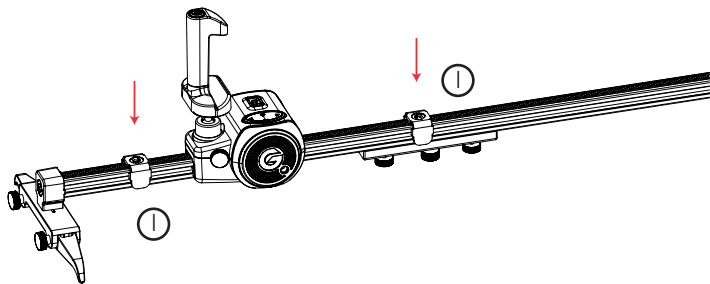
SHOOTING VERTICAL OR INVERTED



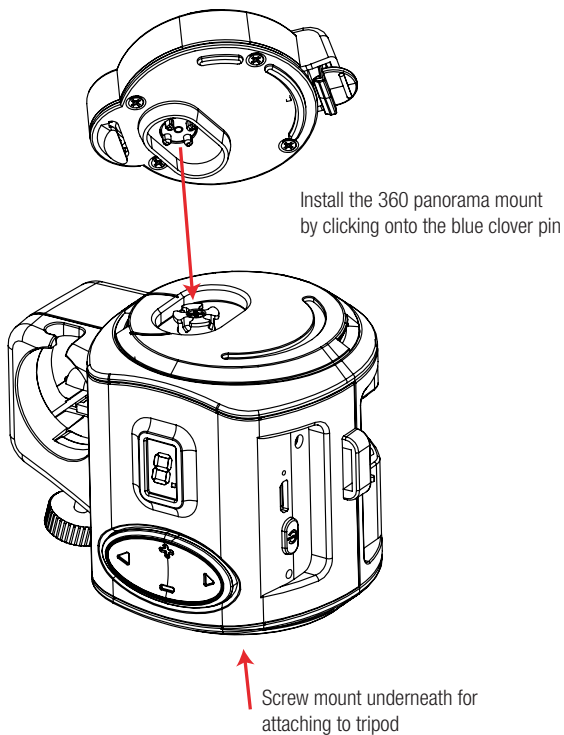
Run the Movie Maker vertical or even inverted by simply attaching small flexible tripods or suction cups.

BOUNCE-BACK CLIPS

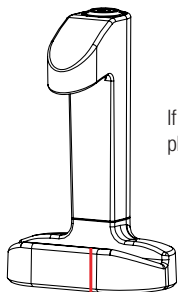
Attach bounce-back clips on track for desired shorter distance



360 PANORAMA MODE: STEP 1



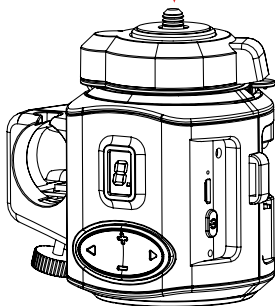
STEP 2



If using a smartphone screw the phone mount onto the ball joint

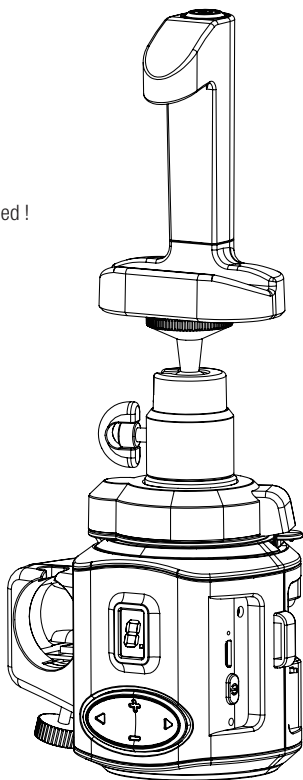


Screw the ball joint onto the 360 panorama mount

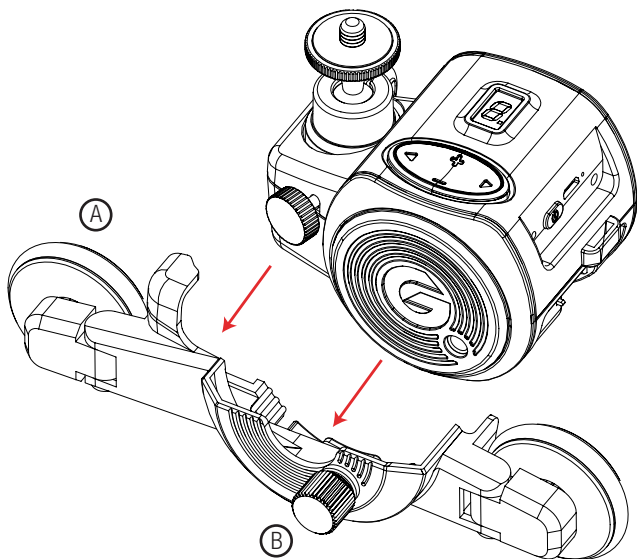


READY TO SHOOT 360!

Finished !

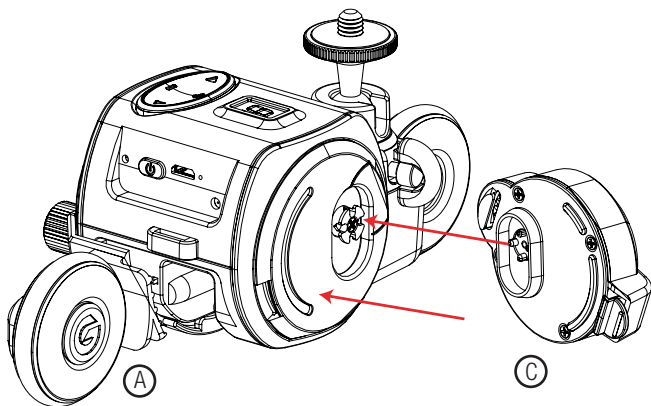


SETTING UP THE MICRO DOLLY- STEP 1



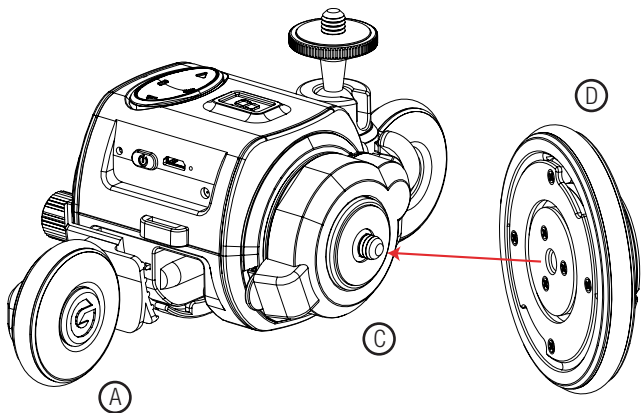
Place the Movie Maker into the Micro Dolly cradle base and fasten using the fastening screw

STEP 2



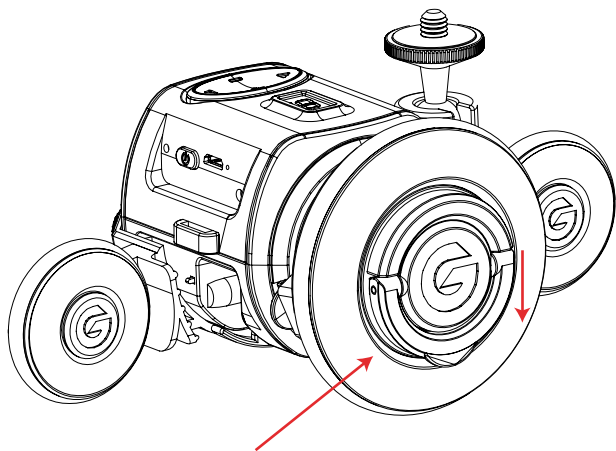
Attach the MD 360 Mount to the blue clover pin

STEP 3



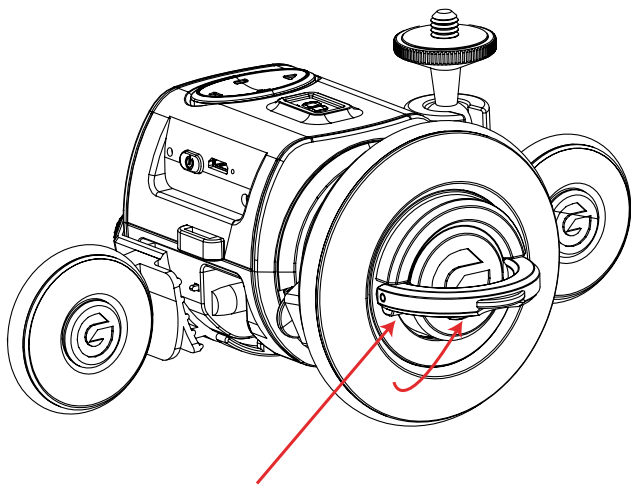
Screw and fasten the power wheel

AUTOMATIC MODE



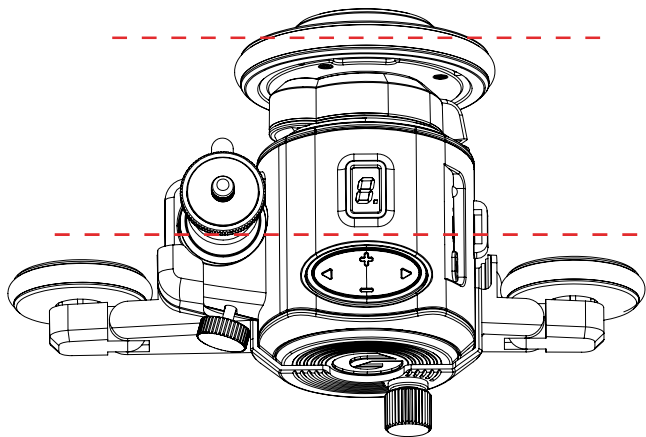
When the ring is down, the power wheel is engaged with the motor

MANUAL MODE



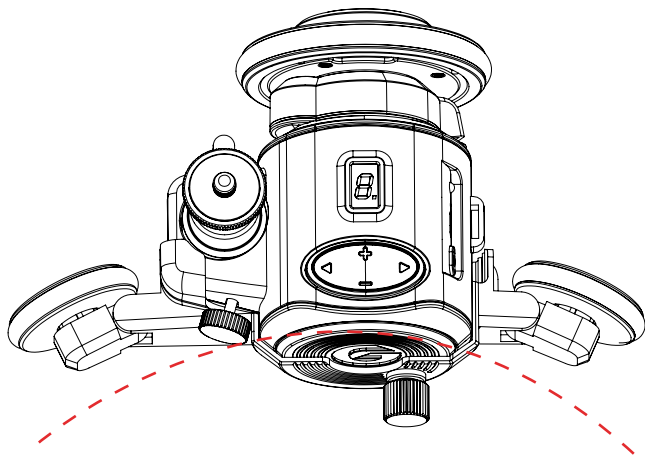
Pull handle upwards to a 90° angle to disengage the motor for use in manual mode

FILMING IN STRAIGHT LINE



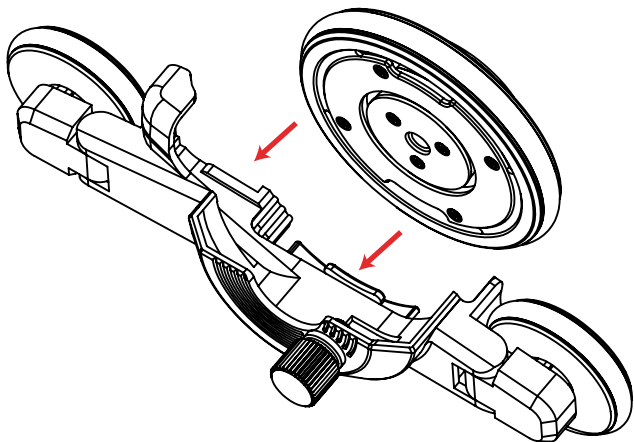
For straight movement keep wheels aligned parallel

SHOOTING A CURVE



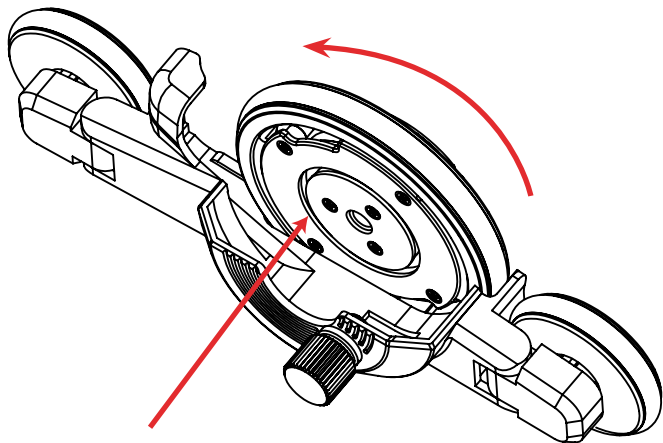
Adjust wheel angle for desired curved movement

HOW TO STORE YOUR MICRO DOLLY



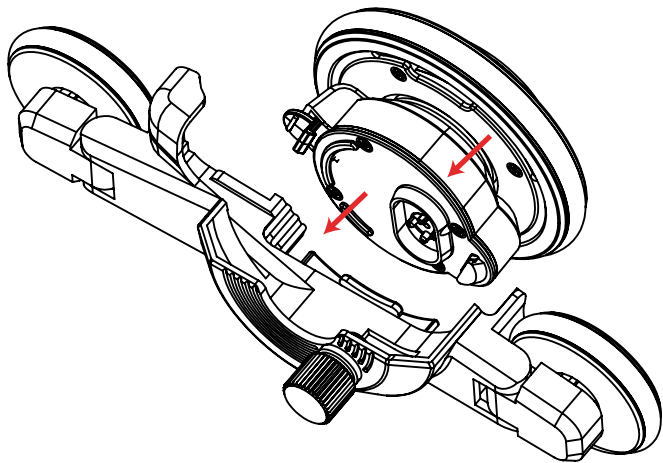
Place the Power Wheel into the Micro Dolly cradle base

HOW TO STORE YOUR MICRO DOLLY



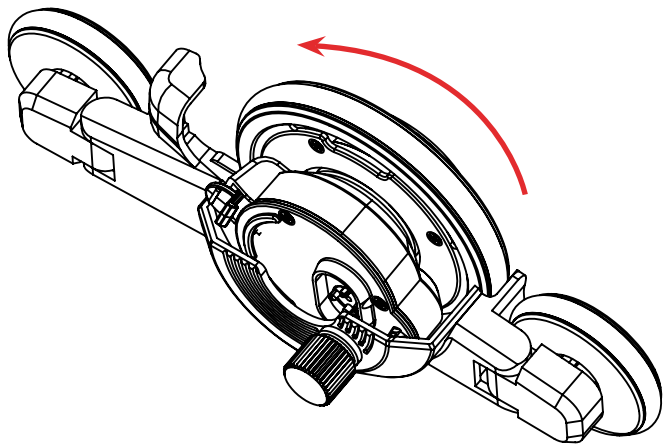
Rotate the wheel to lock into place

HOW TO STORE YOUR MICRO DOLLY



Store option together with the MD 360 Mount

HOW TO STORE YOUR MICRO DOLLY



Rotate Power Wheel to lock into place.

- Important: The Movie Maker will automatically turn off when in speed “0”, but not in speed 1-9.
- You can enable or disable the bounce-back function: On the D-Pad, hold “+” for 3 seconds. When the dot is flashing very fast it is disabled, slow flashing means is enabled. (When motor is idle, Dot off is disabled, Dot on is enabled).
- Use USB power for long time lapse shots. Some time lapse videos take longer than 2 hours. Keep the unit fully charged as you never know when inspiration strikes.
- Keep your camera secure and in sight at all times.
- Time Lapse shots are enhanced when the foreground is a static object and the background is moving with clouds, water or people. Visit our Facebook or YouTube pages for examples.
- The fold out legs are for non-flat surfaces and rarely used.
- When recording sound on speed 8 & 9, point the microphone away from the motor or use a separate sound recorder.

USEFUL TIPS

- Charging time is approximately 2 hours.
- Optimal performance is between 0-50 degrees Celsius. Below or above these temperatures may affect performance.
- Make sure the surface in front of your shot is smooth
- Work out the proper shooting angle in manual mode first before recording
- Use the blue 360 panorama mount come with Movie Maker/Movie Maker 2 set for super slow motion (1/5 speed compared with orange unit)

If you have any other questions please feel free to email us anytime!

service@gripgear.com

USEFUL TIPS

1. Speeds of Dolly in straight line using dark grey gear and light grey gear.
2. Rotation speed in Panorama mode for dark grey gear and light grey gear.



	Slider mode	Micro Dolly		Panorama Mode	
Speed	Travel mm/ minute	Travel MM/Minute		Rotation 1 turn of 360/ minute	
1	4	8	1.6	28.2	141
2	8	16	3.2	14.12	70.6
3	16	32	6.4	7.06	35.3
4	32	64	12.8	3.54	17.7
5	64	128	25.6	1.764	8.82
6	128	256	51.2	0.904	4.52
7	256	500	100	0.452	2.26
8	512	1000	200	0.226	1.13
9	1024	2000	400	0.114	0.57

GripGear™

MOTION CONTROL FOR SMALL CAMERAS

SOCIAL MEDIA:
@GRIPGEARGLOBAL



CUSTOMER CARE EMAIL: SERVICE@GRIPGEAR.COM
GRIPGEAR.COM TAG US: #SMALLCAMSCAN #GRIPGEARGLOBAL #GRIPGEAR