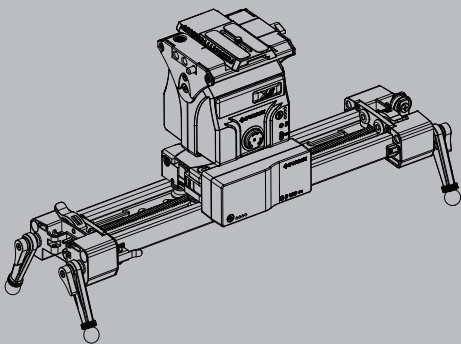


# *Shark Slider* *mini*

## INSTRUCTION MANUAL FOR THE SHARK SLIDER MINI SERIES



 **IFOOTAGE**

DK0801001

Thank you for purchasing this iFootage product, The Shark Slider Mini is compact, lightweight, easy to carry and is ideal for all types of studio and location camera movement.

To get the most from your Shark Slider Mini, please read the following instructions carefully before operating the equipment. Please keep the manual safe for future reference.

This instruction manual supports the following:

- 1.Shark Slider Mini Track
- 2.Shark Slider Mini Standard
- 3.Shark Slider Mini Bundle
- 4.Mini 2 Axis Module
- 5.Mini 3 Axis Module
- 6.Shark Slider Mini Complete
- 7.Shark Slider Mini Premium

## Contents

■ TECHNICAL INFORMATION	-----	1
■ FEATURES	-----	2
■ PRECAUTIONS	-----	2
■ COMPONENT DESCRIPTION	-----	3~4
■ STATE INDICATORS	-----	5
■ INSTALLATION GUIDE	-----	6~16
■ SET UP AND SCENARIOS	-----	17~19
■ MAINTENANCE	-----	20~21



### Notes: Please read the following information:

1. Whilst every care has been taken to ensure that this manual supports the product and our customers, some ambiguity or description omissions may exist. We always welcome customer feedback on how we can improve the product manual.
2. Please note that customers who have purchased the following will need to download the iFootage App which currently supports iPhone IOS8.3 and above and will soon support iPad and Android: Mini 2 Axis Module, Mini 3 Axis Module, Shark Slider Mini Complete and Shark Slider Mini Premium.
3. Please check all components and packaging for any damage. In the case of missing or defective parts, please contact your distributor as soon as possible.
4. When the motion module is switched off but still connected to power via a USB port, power will still be supplied to the battery. When the motion module is switched on, power is supplied directly to the motion module. If the battery inside the motion module is in power off mode the battery will not charge.

## Technical Information

Shark Slider Mini Track	Length	404 ± 5mm	
Weight	0.68Kg/1.5Lb	Track Specifications	404*95*25
Material	Aluminum magnesium alloys + SUS304 Stainless steel		

Shark Slider Mini Standard	Length	460 ± 5mm	
Weight	1.5Kg (with pulley)/3.3Lb	Useable Length	210 ± 5mm
Track Specifications	377*45*25	Max load	8Kg/17.6Lb
Material	Aluminum magnesium alloys + SUS304 Stainless steel		

Shark Slider Mini Bundle	Length	840 ± 5mm	
Weight	2.2Kg (with pulley) /4.85Lb	Useable Length	600 ± 5mm
Track Specifications	377*45*25	Max load	3.2Kg/7Lb
Material	Aluminum magnesium alloys + SUS304 Stainless steel		

Mini 3 Axis Module	Spin speed	0-30° /s	
Module slider	0mm-50mm/s	Location accuracy of Pan Head	0.001°
Location accuracy of Module	0.00325mm	Max Load of Pan Head	1.5kg/3.3Lb
Load of Slider tilt 45°	2.0kg/4.4Lb	Pan Head motor power	2.5-3W
Slider motor power	2.5-3W	Pan Head endurance time	2H
Slider endurance time	2H	Pan Head self-weight	0.9kg/2Lb
Radio frequency	Bluetooth and 2.4GHz	Radio Signal Range	10m
Operating voltage	7.2-8.4V	Battery model	FW50

## Features (depending on package purchased)

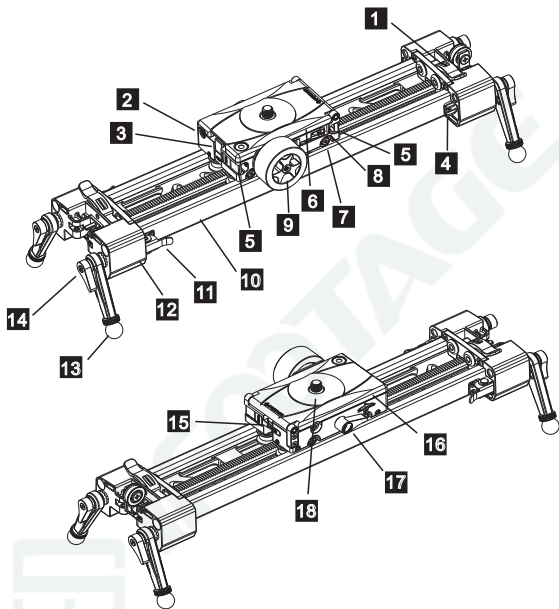
1. Lightweight, compact, portable and easy to deploy.
2. Seamless track locking design with track extensions available as an accessory.
3. High quality design, engineering, durable materials (hard anodized technology) and components.
4. Unique, quick release, original design flywheel and motion module.
5. Agile and adjustable angle of carriage plate, allows for fast adjustment of camera position.
6. Modular design allows for future additions and updates to mini slider including moving from manual operation to automated motion control of up to 3 axis.
7. Highest location accuracy for motion control slider is 0.00325mm and for the Pan and Tilt Head it is 0.001° .
8. Starting point detection avoids repetition of manual reset with multiple recordings.
9. USB power charge and power supply to motors.
10. Reliable, wireless control using Bluetooth BLE 4.0 and 2.4 GHz.
11. Instant automatic connectivity via Smartphone Bluetooth BLE 4.0.
12. Multiple key frame Bezier curve preset timeline function allowing you to accurately programme all three axis. Perfect for sophisticated time-lapse recording.
13. iFootage motion control App with free firmware updates.
14. Automatic target control (focal point detection)–ideal for interviews.
15. Preset, repeatable camera movement.
16. Slider can be utilized both vertically and horizontally.
17. Panoramic function.
18. Photostitching function.
19. Toolless and beltless assembly for super smooth movement.

## Precautions

1. The Shark Slider Mini connects via Bluetooth BLE 4.0 technology. Prior to opening App ensure that your Smartphone's Bluetooth is activated.
2. Please use only FW50 batteries. Alternative batteries may damage the unit.
3. As a result of lithium battery discharge characteristics and the overall power requirement for the Shark Slider Mini to operate, should the battery power be 10% or less, the operation time may be reduced to less than 10 minutes. Please ensure that batteries are fully charged so that there is sufficient power for sustained operation.
4. Once activated, Motion X2 automatically moves to the initial status/zero point. Please ensure that the track is clear of obstacles prior to starting. It is recommended that users keep their hands clear of the tracks also to avoid damage or injury.
5. Always protect the equipment when working in dusty, damp or wet environments. Failure to ensure adequate protection from elements may result in equipment failure.
6. Do not use this motion control unit in environments above 50° C and below -20° C degrees.
7. Any disassembly or modification without authorization or improper use of the equipment may result in damage and affect the warranty.

## Component description

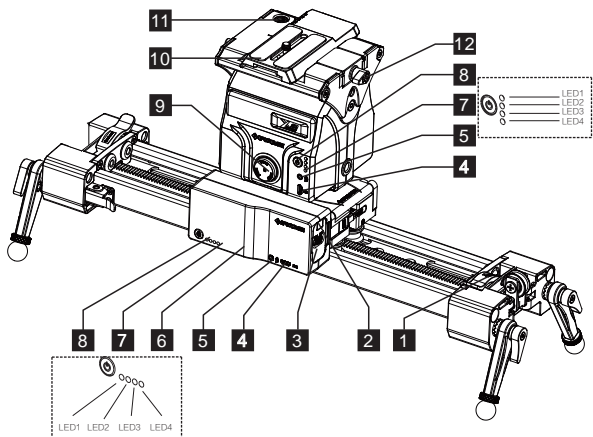
### ■ Shark Slider Mini Standard



- |                                 |                                       |                             |
|---------------------------------|---------------------------------------|-----------------------------|
| <b>1</b> Foot stand lock buckle | <b>2</b> 1/4" hole                    | <b>3</b> Angle plate buckle |
| <b>4</b> Clamp-A                | <b>5</b> Lock buckle of 1-Axis module | <b>6</b> Carriage           |
| <b>7</b> Flat pulley            | <b>8</b> Carriage locking control     | <b>9</b> Flywheel           |
| <b>10</b> Track                 | <b>11</b> Clamp-B                     | <b>12</b> Foot stand        |
| <b>13</b> Adjustable legs       | <b>14</b> Locking control             | <b>15</b> Hanging buckle    |
| <b>16</b> Angle plate           | <b>17</b> Angle locking control       | <b>18</b> 3/8" screw        |

## Component description

### ■ Shark Slider Mini Motion Control Version



- |                          |                                     |                                     |
|--------------------------|-------------------------------------|-------------------------------------|
| <b>1</b> Hanging pulley  | <b>2</b> Battery cable cover        | <b>3</b> Battery cover              |
| <b>4</b> Micro USB port  | <b>5</b> 2.5 inch shutter interface | <b>6</b> Slider module              |
| <b>7</b> Indicator light | <b>8</b> Power switch               | <b>9</b> Locking button for X2 Mini |
| <b>10</b> 1/4" screw     | <b>11</b> 1/4" Screw / 3/8" Screw   | <b>12</b> Locking control           |

\*Micro USB port supplies power to Pan and Tilt Head and Slider or can be used to charge battery.

\*To reset to factory settings, press and hold the On/Off switch, then insert the battery and wait 10 seconds until the red light flashes to indicate the reset is complete.

## Status indicators

LED status explained:

● LED green

◉ LED flashes green

○ LED off

◐ LED flashes red

Battery level				
LED1	LED2	LED3	LED4	Current battery level
◉	◉	◉	◉	75%~100%
◉	◉	◉		50%~75%
◉	◉			25%~50%
◉				0%~25%

\* Quick press the On/Off switch to check the battery level while the unit is powered off. In standby mode the LED will flash every two seconds to indicate the battery level.

Battery charging level				
LED1	LED2	LED3	LED4	Current battery level
●	●	●	●	100%
◉	◉	◉	◉	75%~100%
◉	◉	◉		50%~75%
◉	◉			25%~50%
◉				0%~25%

\* Insert 5V USB to charge the unit during powered off mode.

Shutter status				
LED1	LED2	LED3	LED4	Current state
●	●	●	●	Shutter ready to fire
◉	◉	◉	◉	Shutter fire after 0.3s

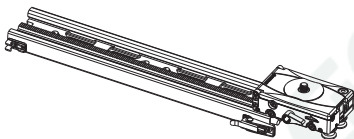
On/Off status				
LED1	LED2	LED3	LED4	Current state
◉	◉	◉	◉	LED flashes from 1 to 4 and all 4 LED flash 3 times.
◐	○	○	○	LED lights off from 4 to 1 and all 4 LED red lights flash 4 times.

\* To switch ON or Off, press and hold the On/Off switch for 2 seconds.

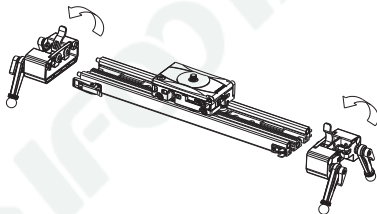
## Installation guide

### ■ How to install the carriage

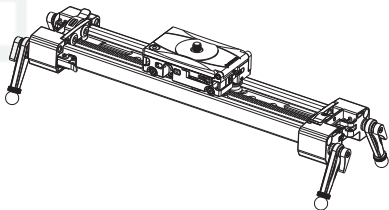
Step 1: Attach carriage by carefully sliding carriage onto the track at one end. Gently push carriage along length of track to ensure correct contact and smooth operation.



Step 2: Attach both track end/feet by opening buckle connection on track, pushing into place and locking using buckle system. You may wish to attach one end prior to attaching carriage, then fit the other end.



Completed installed diagram for reference:

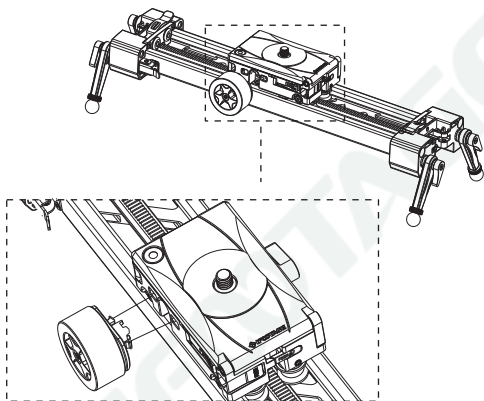




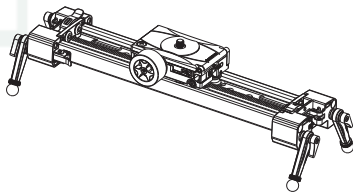
## Installation guide

### ■ How to install the flywheel

Step : Press the flywheel into the receiving port on the side of the carriage.  
You will audibly hear it click as it locks into place. Move carriage or turn flywheel to check it is installed correctly.

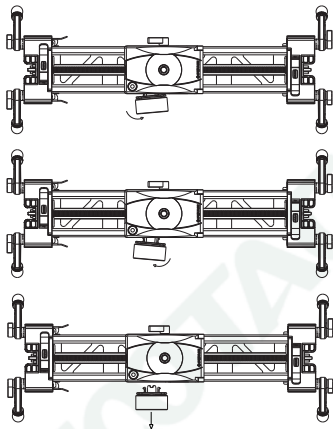


Completed installed diagram for reference:



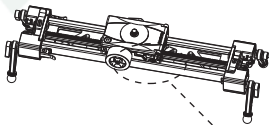
## Installation guide

### ■ How to remove the flywheel

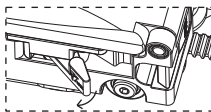


Firmly hold the flywheel and gently pull to the left, then do the same, but to the right followed by pulling the flywheel away from the carriage at 90 degrees. This will ensure safe removal of the flywheel from the carriage.

### ■ Locking the module



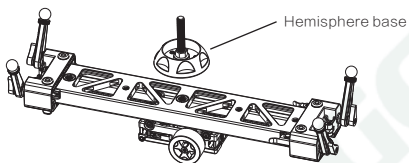
In order to prevent the carriage from moving, rotate the carriage locking control, following the direction of the arrow direction.  
(Note: Locking is not intended to lock the unit completely in position, it is designed to assist stability during 2 axis operation with the X2 Mini)



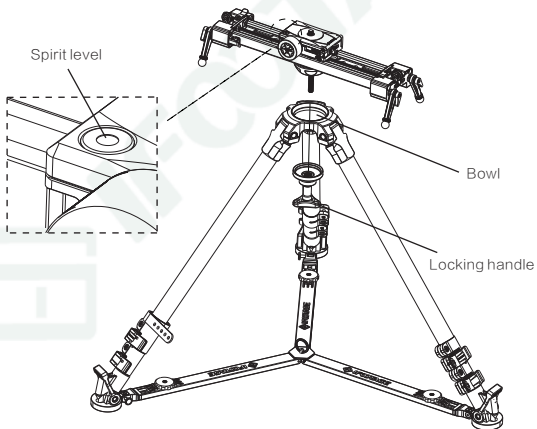
## Installation guide

### ■ Mounting the Shark Slider Mini onto a tripod with a hemisphere base

Step 1: Attach the hemisphere base onto the slider using the central screw hole on the track underside. Screw the hemisphere base in a clockwise direction until fully tightened.



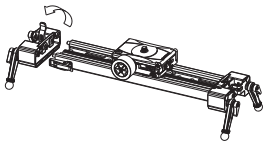
Step 2: Mount the hemisphere base on the tripod and adjust the slider until the carriage's spirit level shows the slider is horizontal, Lock into position.



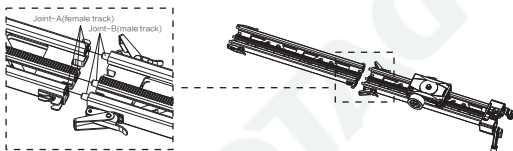
## Installation guide

### ■ Extending the track

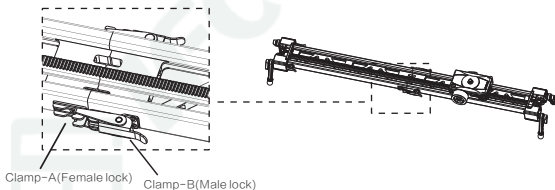
Step 1: Remove the foot stand from one end of the slider.



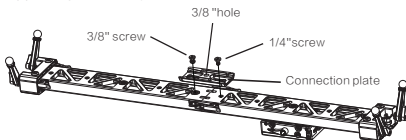
Step 2: Attach the track extension to existing track using the male and female connecting nodes. (see diagram).



Step 3: Use the buckle locking system to lock the two tracks together. Check buckles are closed and tracks are secured together successfully prior to replacing and locking in place the foot stand.



Step 4: Place the track connection plate on the underside of the joined track and secure with screws provided. Check that the plate is secure and is adequately supporting the track joint.

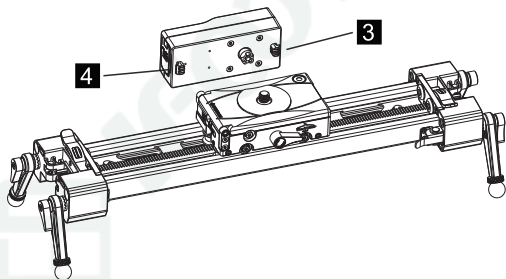
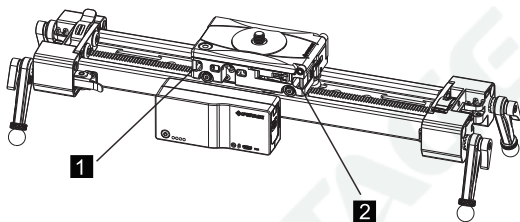


## Installation guide

### ■ How to install the single-axis module

Step 1: Remove the flywheel as per instructions.

Step 2: Attach the single-axis module onto the carriage as shown in the figure.



Step 3: Check that the single-axis module is securely attached to the carriage.

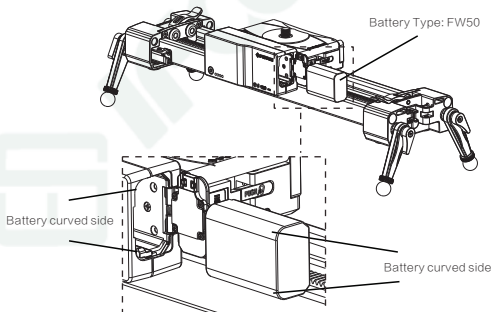
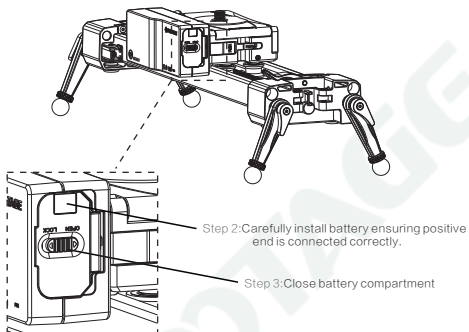
Step 4: Check track is clear of obstruction.

Step 5: install battery and switch on unit.

## Installation guide

### ■ How to install the battery

Step : To open up the battery cover move the switch to 'OPEN'.

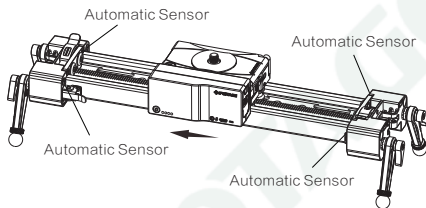


\*Insert the battery in the 1 -axis module, pay attention to the direction, DO NOT insert it in opposite direction.

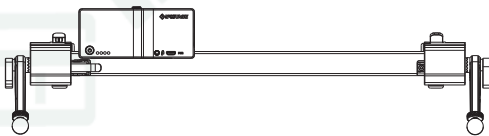
## Installation guide

### ■ Automatic starting point function

Step :Insert the battery and close the battery cover. Press and hold "On" switch for at least two seconds until the four indicator lights flash three times (green light), after which the pan head will begin to move to the direction as shown in the chart.



\*The carriage will stop automatically 10mm from the left foot stand.(The 1 axis slide module is equipped with a sensor which will move to the starting point and stop automatically)

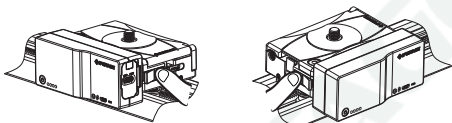


\*For maximum run time, please ensure that you run the single axis module on a fully charged battery.

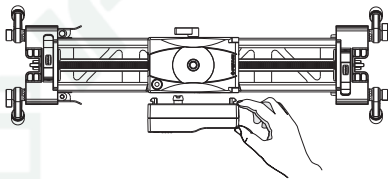
## Installation guide

### ■ How to disassemble the single axis module

Step 1: Press the locking latches on both sides of the unit simultaneously.



Step 2: Gently remove the single axis module from the carriage at a 90 degree angle to the carriage.

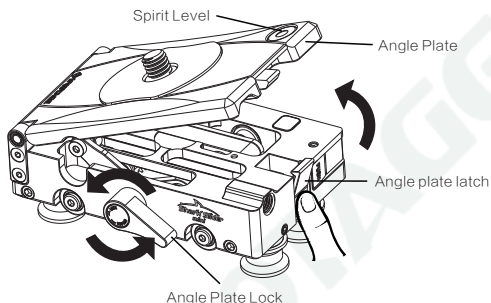




## Installation guide

### ■ Carriage Angle Plate

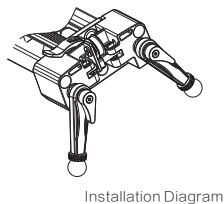
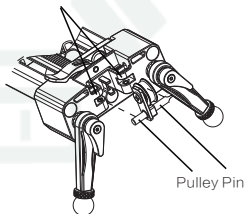
Step : Turn the angle plate anti-clockwise. Press to release the angle plate latch, lift the angle plate and adjust to desired angle.



### ■ How to use the loading function

Step 1: Install the pulley cord (Push the pulley pins through the groove at the end).

Pulley Mounting Groove

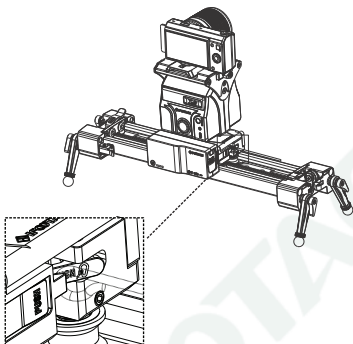


\*The carriage and camera may slip if the rake or slider set up angle is too steep. This can be prevented by using the pulley and correct counterweight. These should be removed when not in use.

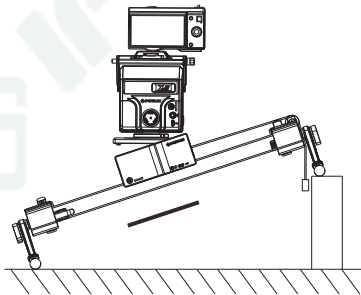
## Installation guide

### ■ How to use the loading function

Step 2: Attach the counterweight and secure the cord to the hanging buckle.



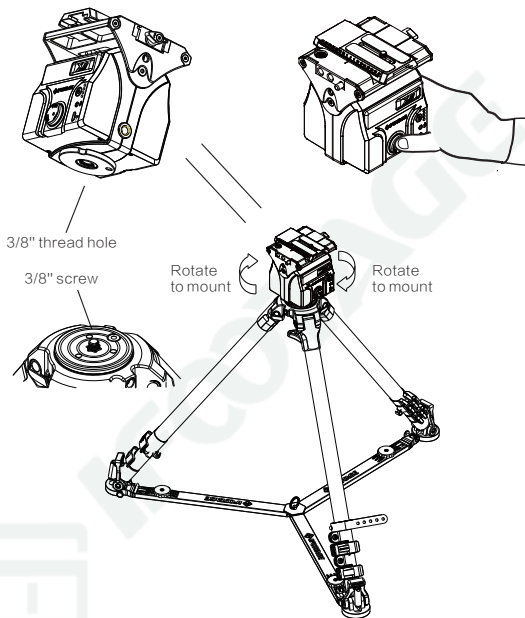
Step 3: Set up fully loaded slider at the angle you wish to use it and carefully test out counterweight. Increase or reduce weight accordingly. The pulley must be installed using an appropriate counterweight for the set up and weight of the camera and head.



\*Care must be taken to ensure that user's fingers and hands are not 'pinched' or trapped within moving the parts.

## Using the remote control App

- How to mount the X2 Mini on a tripod



Step 1: Please ensure that the tripod camera plate has a 3/8" screw and therefore matches the X2 mini pan head 3/8" screw thread.

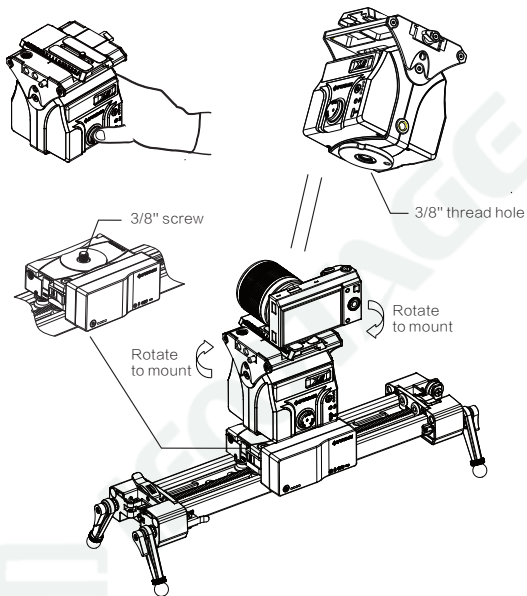
Step 2: Carefully place the X2 Mini onto the tripod camera plate and screw the two together ensuring the thread is not crossed.

Step 3: Tighten and lock plate onto tripod.

Step 4: Check items are secure prior to use. Carry out reverse procedure when removing X2 Mini from a tripod.

## Using the remote control App

- Installing the X2 mini onto the shark slider mini



Step 1: Carefully place the thread 3/8" hole of the X2 Mini pan head onto the 3/8" screw on top of the Shark Slider carriage. Rotate clockwise.

Step 2: Press the pan locking button and rotate the pan head at the same time to lock the pan head tighter. You will also need to press the locking button when removing the pan head from the slider carriage.

Step 3: Please mount the camera as shown in the diagram when using the target control feature.

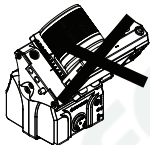
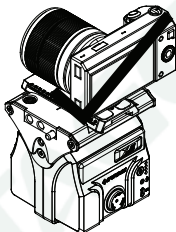
## Using the remote control App

- Installing the X2 mini onto the shark slider mini

Initialisation failed



Initialisation complete

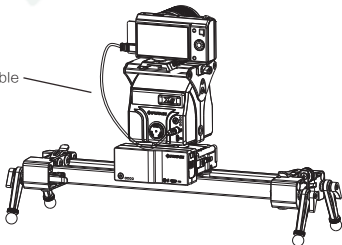


It is important to test out the overall balance and functionality of the X2 Mini when attached to the slider fully laden, in other words with the camera and lens attached. When using a long lens, please adjust the positioning of the camera in order to balance it on the X2 Mini. Failure to do so may result in the slider and camera tipping forward.

It is worth noting that the maximum pitch angle range for X2 Mini is  $\pm 35^\circ$  and that once switched on the X2 will automatically look for the initial status /zero point. Please ensure there is no obstacle on the track prior to start up.

Step :You should insert the shutter cable after mounting the camera.

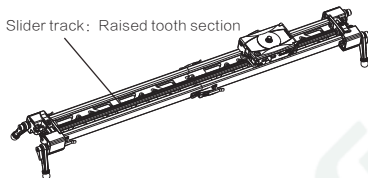
Shutter cable



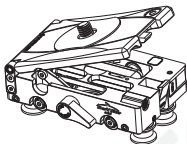
\* If using long lenses, please ensure the center of balance is adjusted properly prior to switching on. With its built-in sensor, the X2 Mini will automatically find its starting point after power up. If using the X2 Mini on a tripod, it will use the power up position as the starting point.

## Maintenance

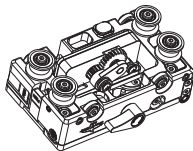
1. Please ensure that the track is free from dust, particles and fluids.



2. Please ensure that the angle plate area is clean to avoid any damage and ensure optimum performance.



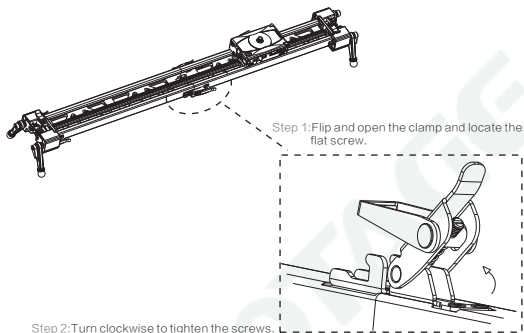
3. Please check that the carriage is free from dust and debris after each use.



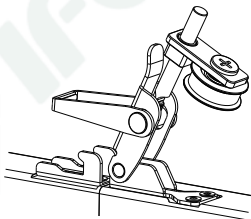
4. After use in wet or damp conditions please ensure that any moisture is removed and the slider is completely dry prior to storage. This can be achieved using an appropriate soft cloth.
5. Handle all parts carefully and always protect the slider and its components during transportation and storage. We would recommend that the slider and its component parts are transported and stored in a suitable carry case or bag. This will help protect it and prevent loss of parts.

## Maintenance

6. After long periods of usage, the track connection point may become loose. This can be fixed by a simply re-adjusting the clamps.



7. Use a suitable flat end screw driver to adjust tightness.



\*iFootage reserve the right to alter or rectifying all hardware and software information and specifications at any time without prior notice. If there any differences between the contents of the instruction booklet and the actual product, please refer to the product.

## INFORMATION OF MANUFACTURER



IFOTAGE INTERNATIONAL(HK) LIMITED

UK Design & Made in China

Origin: China

Website: [www.ifotagegear.com](http://www.ifotagegear.com)