



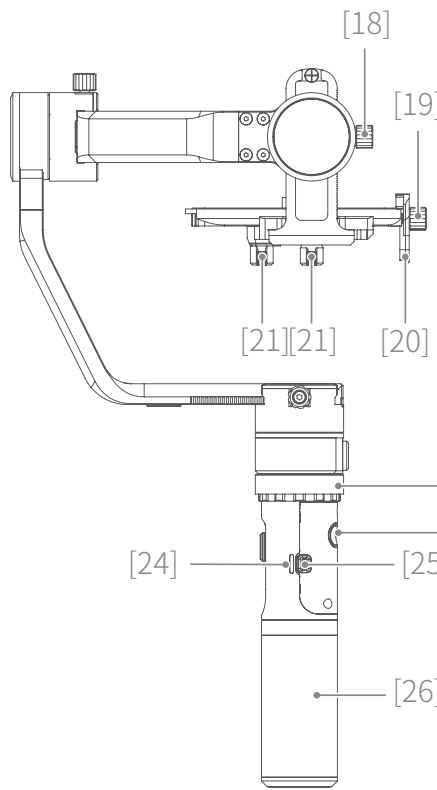
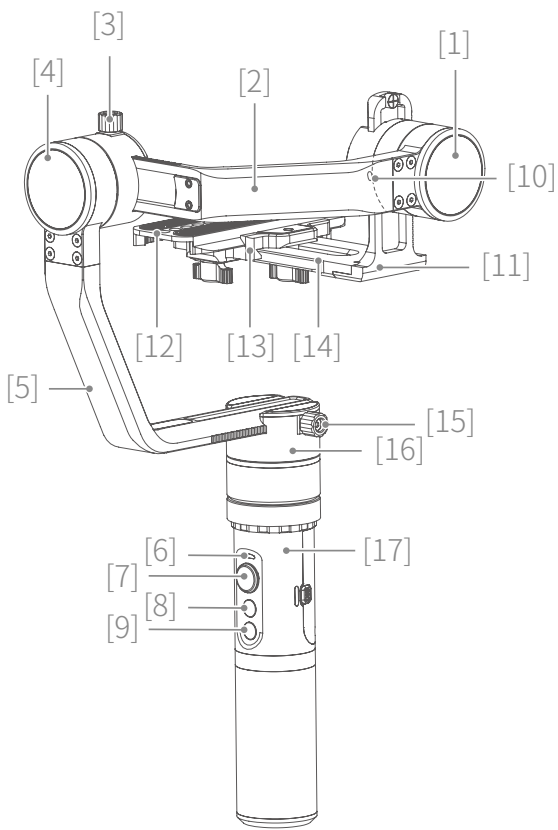
# *a2000*

3-Axis Gimbal for Mirrorless and DSLR Cameras

Guilin Feiyu Technology Incorporated Company

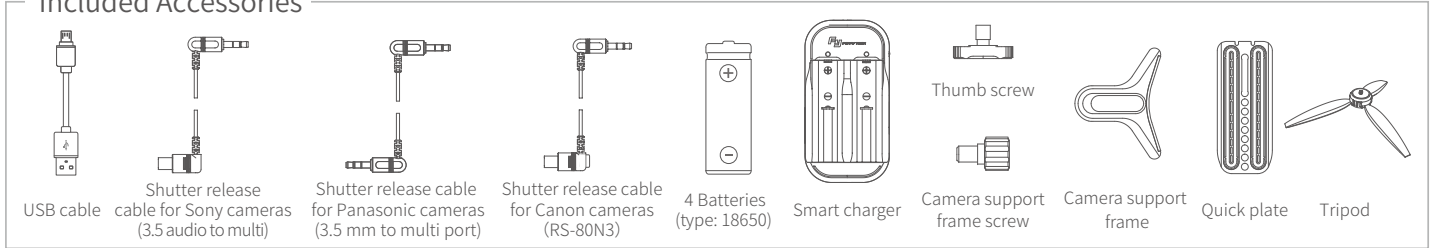
User Manual EN V2.1

# 1. Product Overview



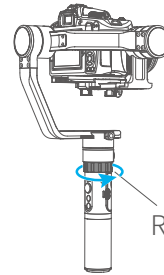
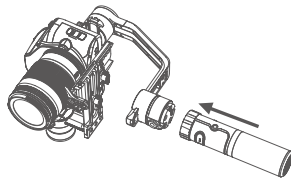
- [1] Tilting axis
- [2] Cross arm
- [3] Rolling lock screw
- [4] Rolling axis
- [5] Vertical arm
- [6] Status indicator
- [7] Joystick
- [8] Function button
- [9] Shutter button
- [10] Shutter cable socket
- [11] Sliding arm
- [12] Quick plate
- [13] Adjustment skateboard
- [14] Adapter(Clamping plate)
- [15] Panning lock screw
- [16] Panning axis
- [17] Socket connector
- [18] Tilting lock screw
- [19] Camera support frame screw
- [20] Camera support frame
- [21] Thumb screw
- [22] Retaining ring
- [23] Trigger button
- [24] Charging indicator
- [25] USB interface
- [26] Handle

## Included Accessories



## Installation Way

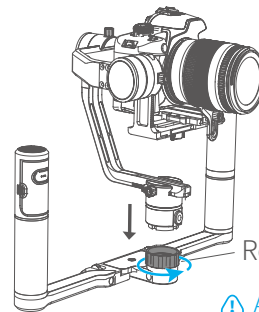
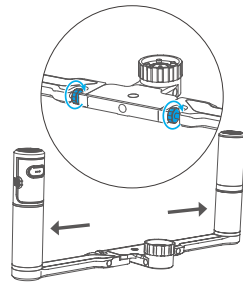
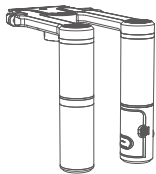
### Single Handle



### Advanced Accessories (double-hand foldable set)



### Double-Hand Foldable Set (optional)



⚠ After installation, please tighten the retaining ring

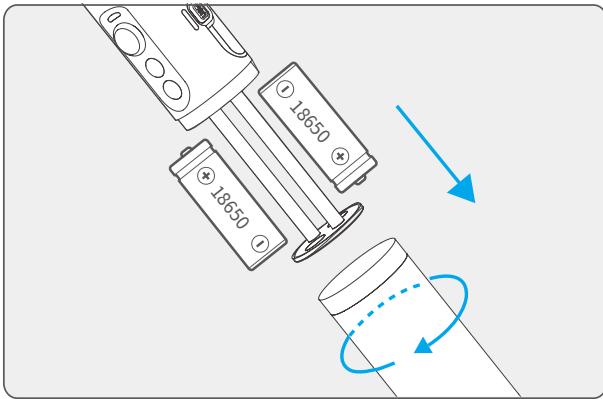
## 2. User Guide

Attention: please read the following instructions before turning on the power on the gimbal

### 1 Insert the Batteries

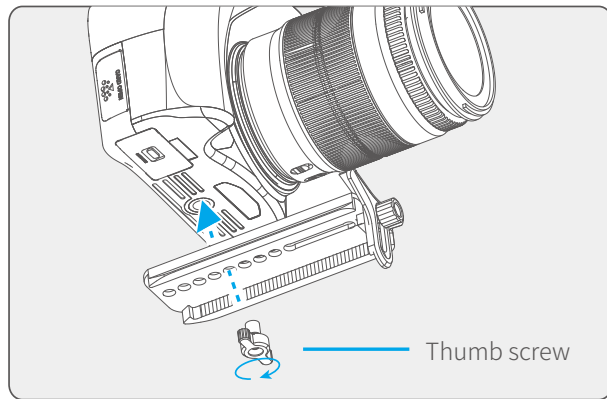
Prior to use, please be sure to fully charge the batteries.

Remove the handle, insert 2 pcs 18650 batteries and tighten the handle.



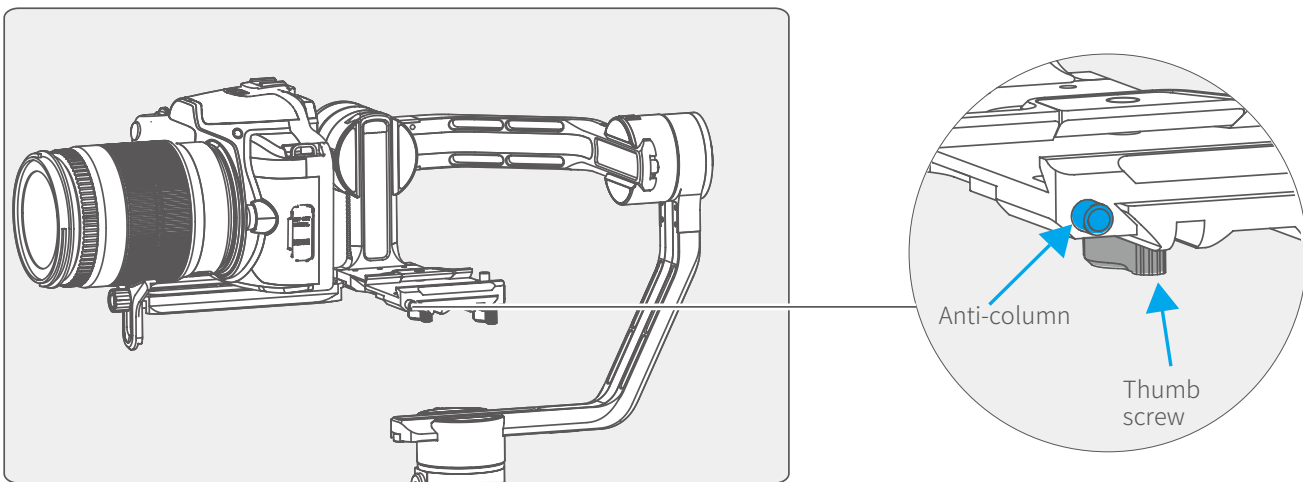
### 2 Attach Camera

(1) Remove the quick plate from the gimbal. Insert the provided 1/4-20 screw into a mounting hole on quick plate. For a front-heavy camera (i.e. bigger, heavier lens), select a mounting hole closer to the back end of the quick plate to ensure proper balance.



\*The screw is screwed into the threaded holes on the quick plate.

(2) After installing the camera, press and hold the anti-column, place the quick plate with mounted which the camera is mounted on the clamping plate, and tighten the screws.



### 3 Balance Adjustment

Adjust the centre of gravity balance of the three axis (see section 9. Balance Adjustment for details) then turn on the gimbal.



Note: centre of gravity imbalance can lead to stable performance degradation, and may not balance the camera.

#### 4 Power On/Power Off

**Power On:** press and hold the function button until the green light on and you hear the tone.

**Power Off:** press and hold the function button until the red light changes from quick flashing to constant and you hear the tone.

### 3. Modes / Functions


#### Operating Instructions

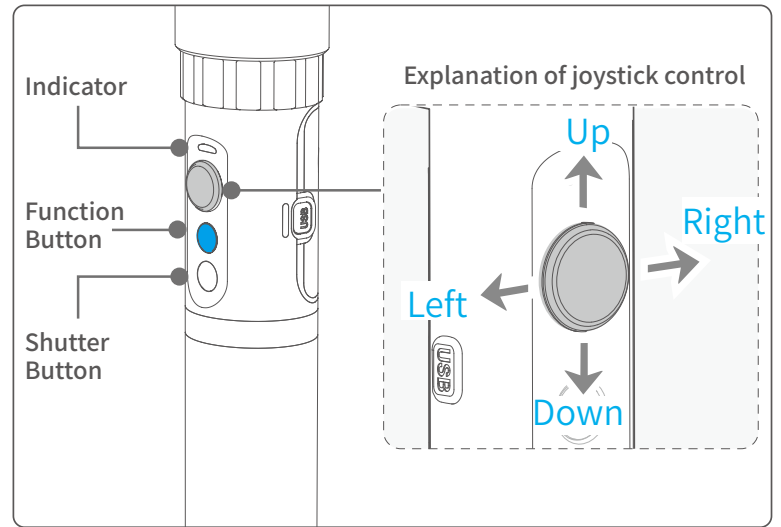
Function button	Function	Explanation
One tap	Panning Mode	Default mode
Two taps	Panning and Tilting Mode	Under panning and tilting mode, control the rolling axis by moving the joystick to the left or right, and the control angle is - 30 °~+ 30°
Three taps	Rotate horizontal 180°	Make the camera lens rotate 180 °(the current mode of work does not change)
Four taps	Autorotation Mode	Both the panning and tilting directions can be rotated
Five taps	Initialization	After the initialization succeeds or fails, you can click the function button to wake up the gimbal
Trigger button	Function	Explanation
Long press	Lock	In the panning mode or panning and tilting mode, press and hold lock shortcuts to enter the lock mode, release to return before mode
Two taps	Reset	Return to panning mode, tilting and rolling to return to initial level

## Explanation of LED Indicator Status

The current mode of the gimbal can be identified by the indicator status.

LED indicator status	Mode / status
Blue light flashes once	Panning Mode
Blue light flashes twice	Panning and Tilting Mode
Blue light constant on	Lock mode / initialize the gimbal
Blue light keeps flashing	Initialization failure / malfunction
Red light flashes three times	Low battery
Red light keeps flashing	Entering power off

 In case of low battery the indicator light will flash red three times every 5 seconds. Please charge gimbal or replace batteries.



## Working Modes

### Panning Mode (default mode)

Tilting and rolling direction are fixed, and the camera lens moves according to the handle movement.

### Panning and Tilting Mode

The rolling direction is fixed, and the camera lens moves according to the hand movement.

### Lock Mode

The orientation of the camera is fixed.

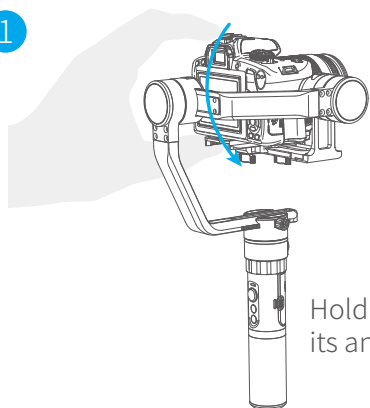
### Reset

Return to panning mode, tilting and rolling to return to initial level.

## Manual Lock

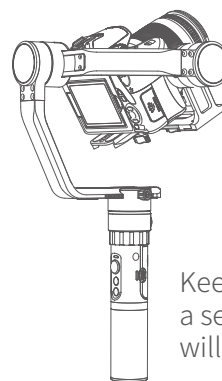
Pull to the required angle and hold for half a second to lock in that position. (The tilting axis and panning axis in lock mode can be manual. The tilting axis can be manually locked in the panning mode.) Take the tilting axis as an example:

1



Hold the camera and change its angle in tilting axis direction.

2



Keep this position for half a second, the current angle will be locked manually.

## Autorotation Mode

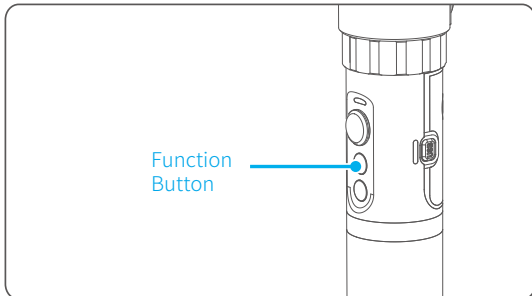
With camera, delay photography function can be used to achieve mobile delay photography.

1. The speed setting is made by Feiyu ON App.

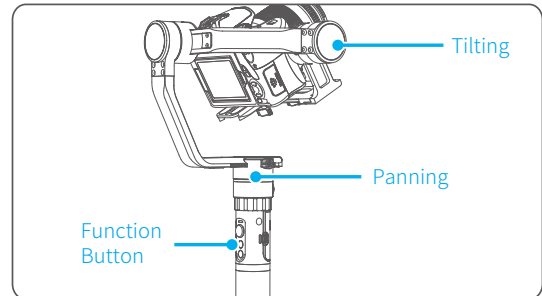
a2000 Rotate Speed												
12 seconds / turn	18 seconds / turn	24 seconds / turn	30 seconds / turn	1 minute / turn	2 minutes / turn	4 minutes / turn	8 minutes / turn	15 minutes / turn	30 minutes / turn	1 hour / turn (default)	4 hours / turn	8 hours / turn

Note: both the panning and tilting directions can be rotated.

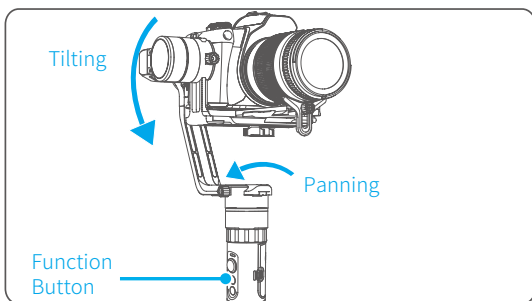




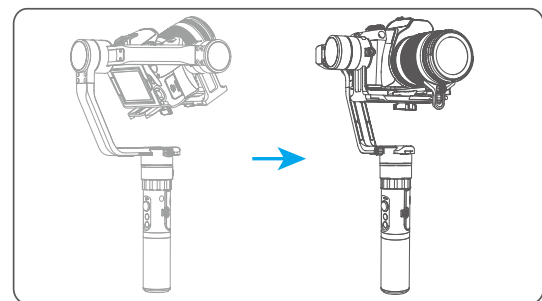
2. Four taps on function button, gimbal will enter the autorotation mode .



3. Set the gimbal start rotation position: pull the tilting axis or panning axis to the start position by hand,click the function button to record the start position.



4. Pull the gimbal (which can be rotated more than one turn) to the rotation path you want to set, and then click the function button to record the end position.



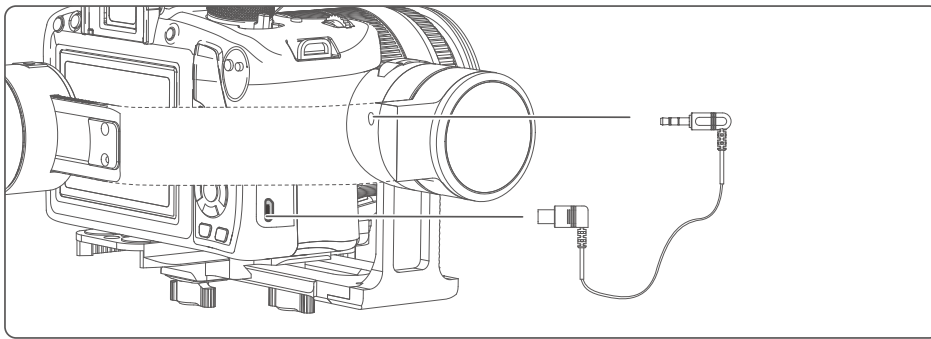
5. The gimbal will go to the start position and start the autorotation function.

**Exit operations:**

1. Click the function button to exit the autorotation mode during automatic rotation.
2. Two taps the trigger button to exit the autorotation mode during setting the automatic rotation.

## Photograph

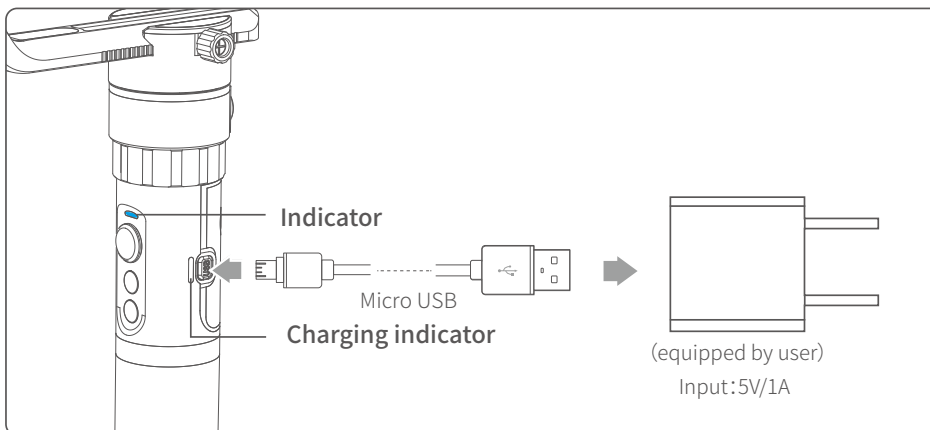
The shutter button can take pictures via the shutter release cable.



**Manual photograph:** click the shutter button to focus, click again within 3s to take pictures. If there is no operation within 3 seconds, the focus state is cleared.

**Automatic continuous shooting:** shutter button long press 3s or more, gimbal "drop" sound and enter the automatic continuous shooting mode, the default 5s shot once. One tap the shutter button to exit the automatic continuous shooting mode. (you can enter the Feiyu On App to setting the photographic interval time.)

## 4. Charging



### Explanation of Charging Indicator Status

LED status	Mode / status
Blue light on, red light off	Stop charging
Blue light and red light are flashing	The voltage of two batteries balance adjustment (If the two batteries voltage difference between the larger, the process takes a long time)
Blue light and red light	charging

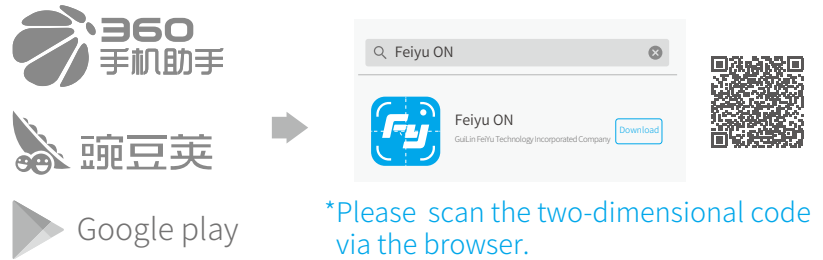
## 5. Download and Connect App

### 1 Download "Feiyu ON" and Install It.

(1) iOS version:

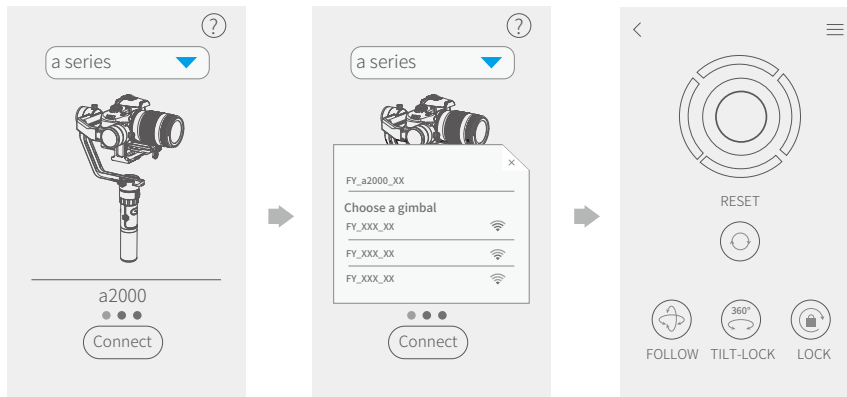


(2) Android version:



### 2 Connecting App

Start the App on your smartphone, follow the instructions to connect the Feiyu On App with gimbal via bluetooth.



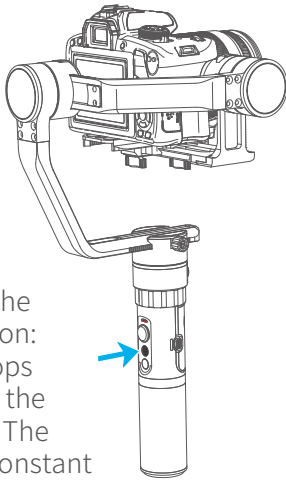
## 6. Gimbal Initialization

You can initialize your gimbal when:

- (1) Camera is not level
- (2) If not used for a long time
- (3) In case of extreme temperature variations

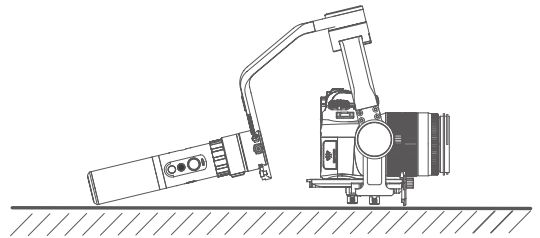
### Adjusting steps:

1



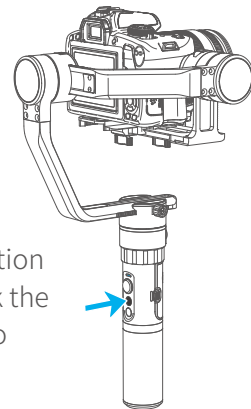
Five taps on the function button: the motor stops working after the voice "drop". The blue light is constant on.

2



Place the gimbal on a flat surface. The gimbal will automatically initialize when it detects the non movement. The blue light will flash three times and initialization ends, otherwise, the initialization fails.

3



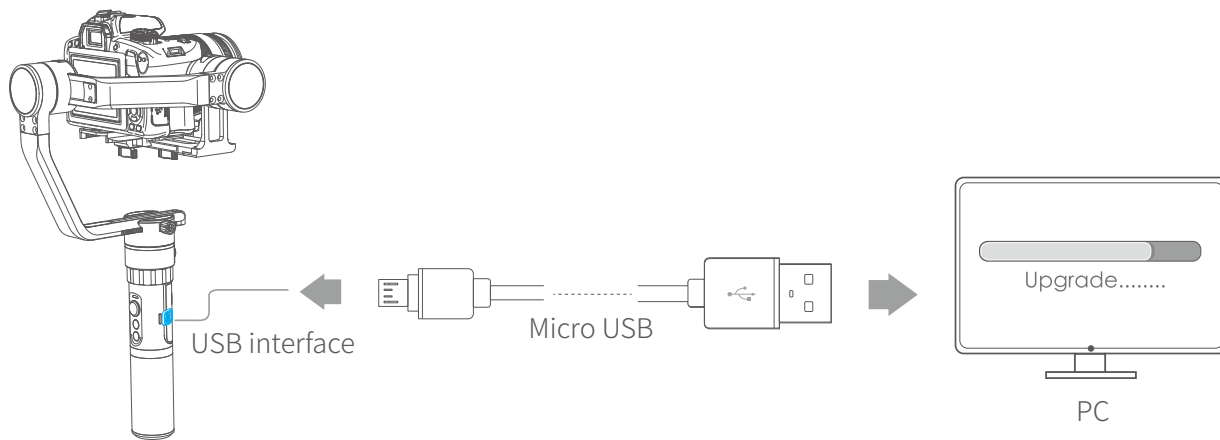
After the initialization is successful, click the function button to wake up.

Note: if the initialization is not successful for a long time, long press the function button to turn off the gimbal, restart it and then initialize.

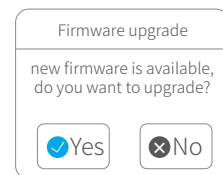
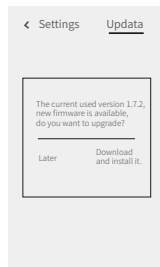
## 7. Firmware Upgrade

(1) Option 1: connect the gimbal with PC via micro USB cable to upgrade the firmware.

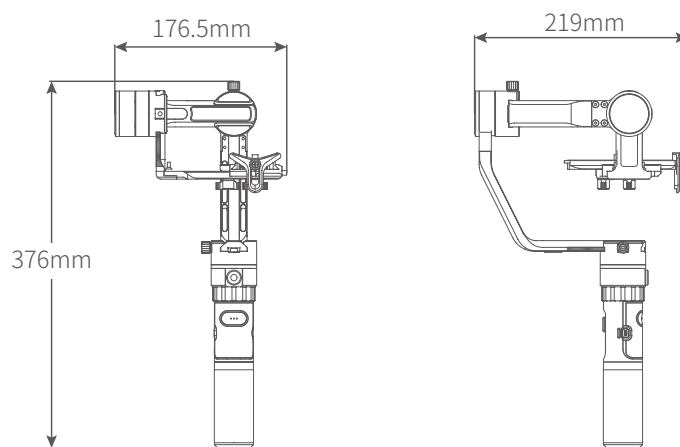
Please visit the official website [www.feiyu-tech.com](http://www.feiyu-tech.com) to download the relevant software for upgrading, including USB driver, firmware upgrade software and product firmware. Install the relevant software, decompress the firmware files and upgrade according to the firmware upgrade instructions.



(2) Option 2: connect the gimbal with Feiyu On App via bluetooth, and then upgrade the firmware.



## 8. Parameters



Titling Angle	360°
Rolling Angle	360°
Panning Angle	360°
Tilting Increments	2°/s ~ 75°/s
Panning Increments	3°/s ~ 150°/s
Life Time	12 Hours (center of gravity balance)
Load weight	250g~2000g
Adaption	Sony NEX-5N/NEX-7 and other N-series, SONY A7RII / ILCE-7R / ILCE-5100, Panasonic LUMIX GH4, Canon 5D Mark III (with standard lens), and other cameras with similar dimensions with weight less 2000g (the camera weight including the accessories of lens and etc.)
Weight	1111.5g(not including the accessories of batteries,camera,camera lens and etc.)

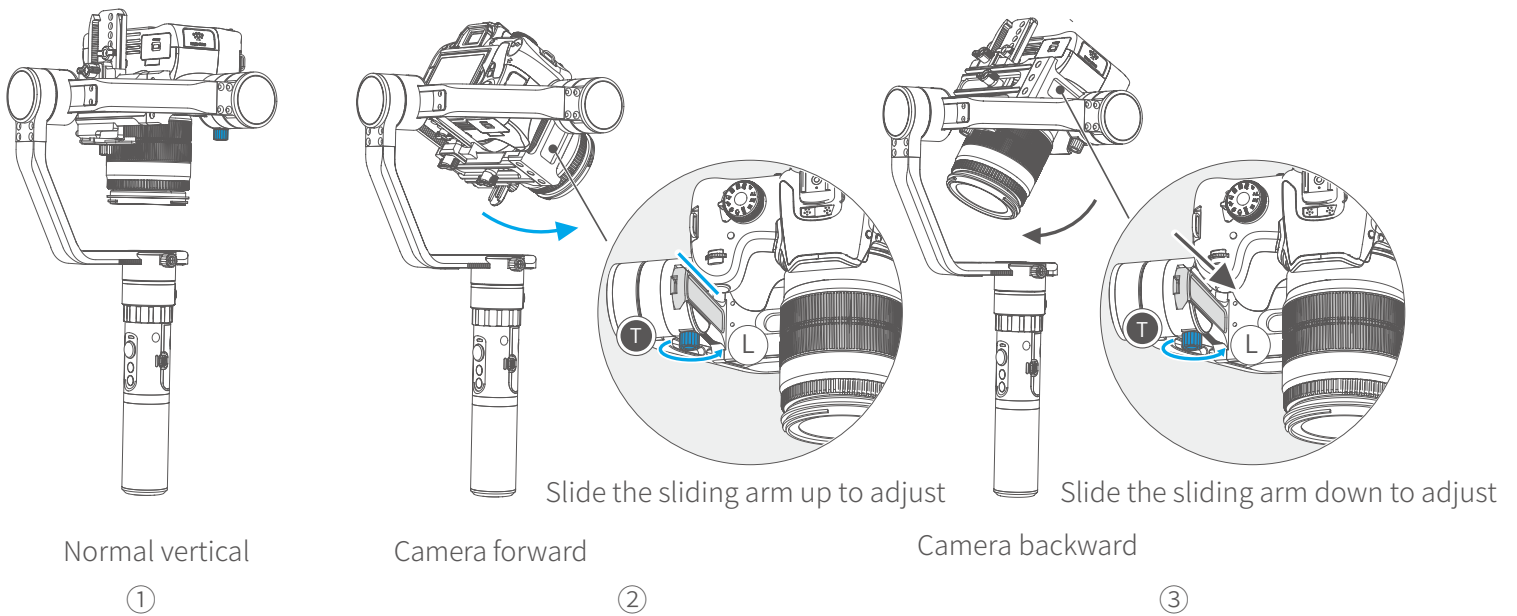
## 9. Balance Adjustment

### STEP 1 Balance Adjustment of the Tilting Axis

Adjust the center of gravity of the camera in two steps to the axis of rotation of the tilting axis.

- (1) Adjust the center of gravity position of the tilting axis up and down: point the camera lens down, adjust cross arm to maintain the level, as shown in figure ①, let go and observe the state of rotation. Adjust the balance via adjust the sliding arm up and down (refer to figure ② ③).

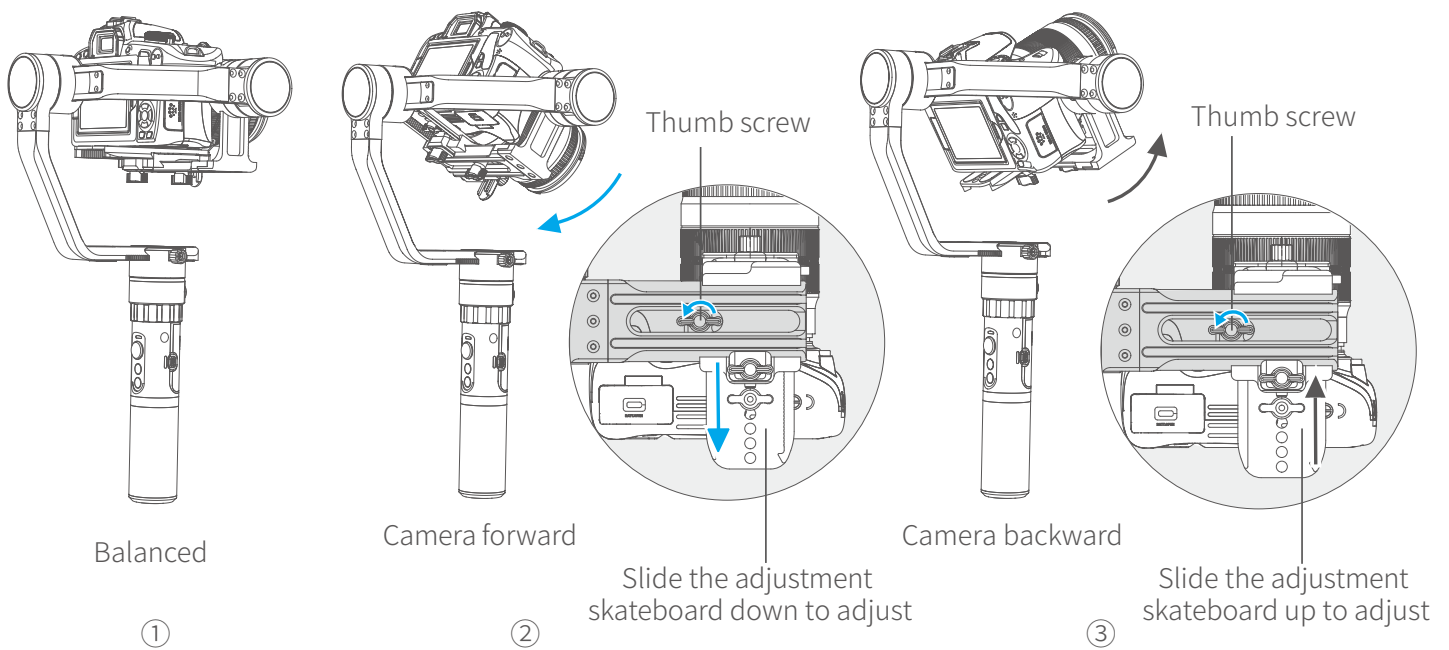
\* After adjustment, be sure to tighten the lock screw.



(2) Adjust the center of gravity position of the tilting axis forward and backward: point the camera lens horizontal forward, adjust cross arm to maintain the level as shown in figure ①, let go and observe the state of rotation.

Loosen the screw on the bottom of the camera and adjust the balance by sliding the adjustment skateboard up and down at the bottom of the camera (refer to figure ② ③).

\* After adjustment, be sure to tighten the lock screw.

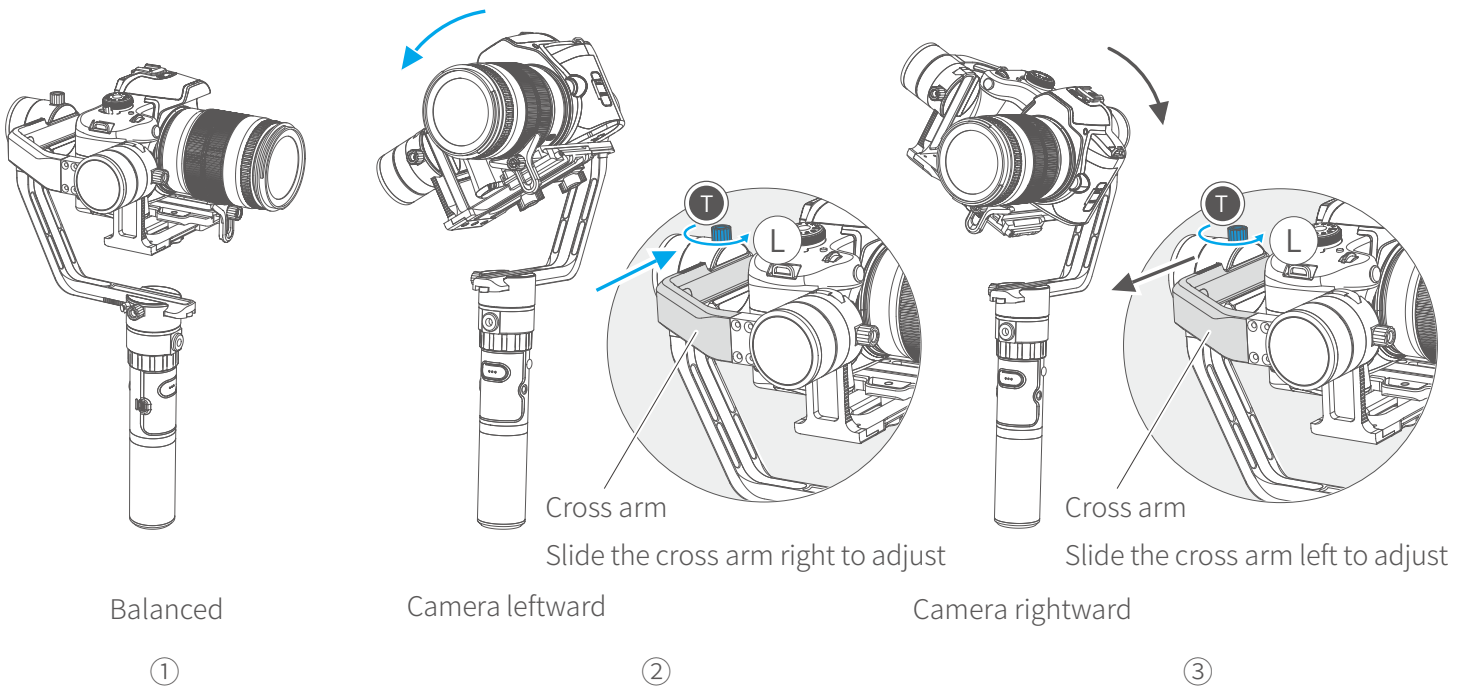




## STEP 2 Balance Adjustment of the Rolling Axis

When the balance adjustment of tilting axis completed, the balance of the rolling axis can be adjusted: keep the gimbal socket connector vertical to the ground with the hand-held control handle as shown in figure ①, leave the gimbal powered off and observe the balance. Loosen the lock screw and slide the cross arm left and right to adjust the roll (refer to figure ② ③).

\* After adjustment, be sure to tighten the lock screw.

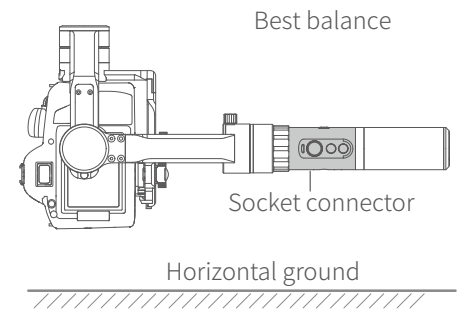


### STEP 3 Balance Adjustment of the Panning Axis

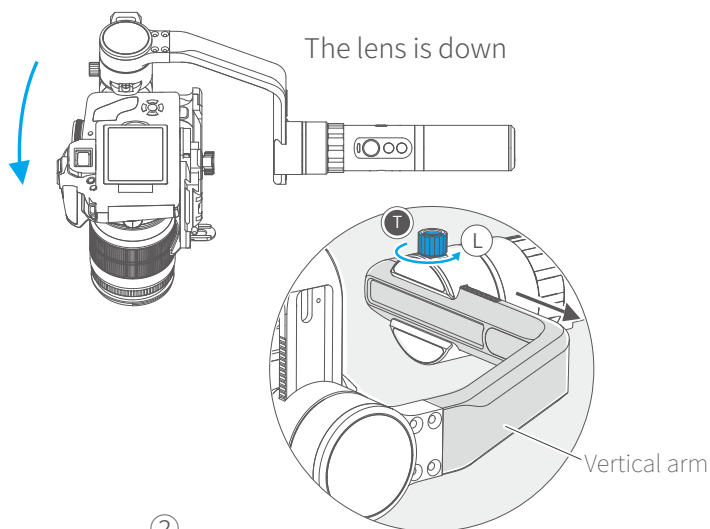
When the balance adjustment of tilting axis and rolling axis is completed, the balance of the panning axis can be adjusted. Keep the gimbal socket connector in the horizontal position, adjust hand-held panning axis as shown in figure ①, let go and observe the state of rotation.

Loosen the lock screw on the panning and slide the vertical arm forward and backward to adjust (refer to figure ② ③).

\* After adjustment, be sure to tighten the lock screw.

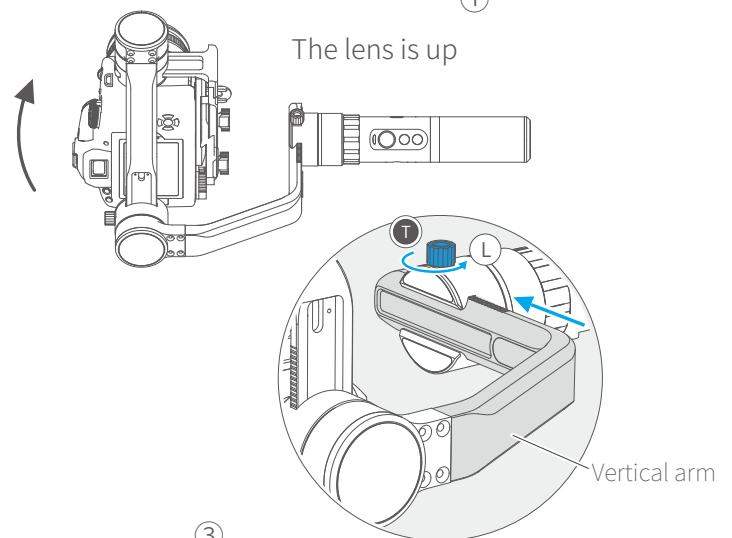


①



②

Slide the vertical arm backward to adjust



③

Slide the vertical arm forward to adjust

## DISCLAIMER

Any use for illegal purposes prohibited. Users are responsible for use products.

The company assumes no liability for any risks related to or resulting from the debug and use of this product (including the direct, indirect or third-party losses).

For any unknown sources of using, we will not be at any services.

Updating and changes of product firmware and program me may cause changes in function descriptions in this user manual, please read the instructions carefully before upgrading the firmware and use the corresponding user manual.

You can get the latest user manual from the official website: [www.feiyu-tech.com](http://www.feiyu-tech.com)

FeiyuTech reserves the right to amend this manual and the terms and conditions of use the gimbal at any time.

### Attention

- Please correctly assemble the gimbal in accordance with the diagram.
- Please install the camera before turning on the gimbal.
- When the gimbal is not in use or placed on the table, please ensure it is powered off.
- Remove the battery when not in use for a long time.

Guilin Feiyu Technology Incorporated Company

---

**Website:** [www.feiyu-tech.com](http://www.feiyu-tech.com)      **E-mail:** [service@feiyu-tech.com](mailto:service@feiyu-tech.com)      **Tel:** +86 (0)773 2320865

---

Due to software and hardware improvements, your actual product might differ from the descriptions and pictures in this user manual. You can get the latest user manual from the official website.

For more information, please visit our official website

