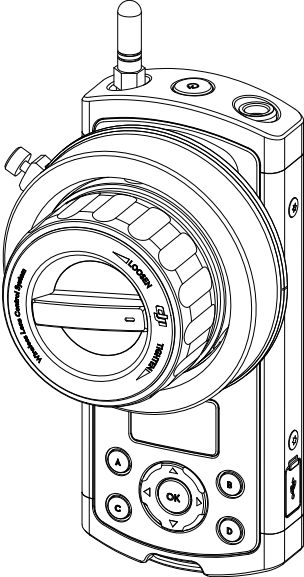


DJI FOCUS Remote Controller

User Manual

V1.0 2015.12



Searching for Keywords


Search for keywords such as "battery" and "install" to find a topic. If you are using Adobe Acrobat Reader to read this document, press Ctrl+F on Windows or Command+F on Mac to begin a search.

Navigating to a Topic

View a complete list of topics in the table of contents. Click on a topic to navigate to that section.

Legend

 Important

 Hints and Tips

Before You Begin

The following documents have been produced to help you safely operate and make full use of your DJI Focus:

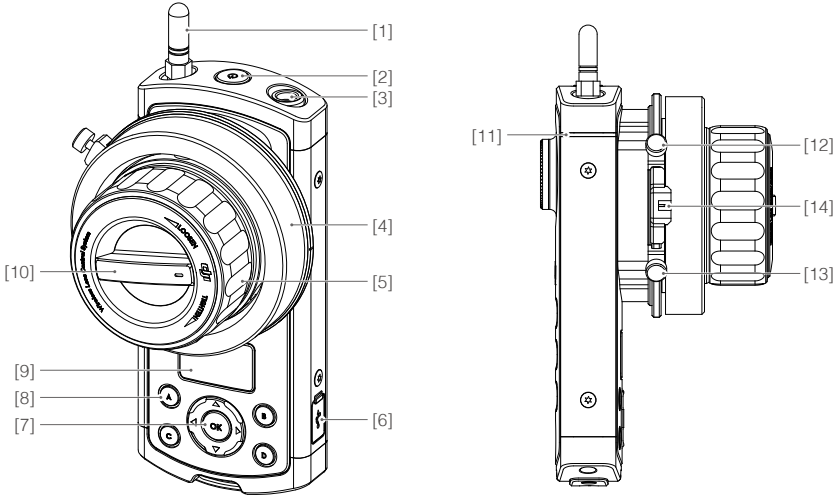
DJI Focus Remote Controller Quick Start Guide

DJI Focus Remote Controller User Manual

Check all of the included parts listed in the *In the Box* section. Read this entire User Manual and watch the informational on the product page of DJI's official website (<http://www.dji.com/product/focus>). Read the disclaimers and warnings to understand your legal rights and responsibilities. If you have any questions or problems during the installation, maintenance or use of this product, please contact DJI or a DJI authorized dealer.

Introduction

The DJI Focus Remote Controller is able to control the focus and aperture of the Zenmuse X5 series gimbal and camera when connected to the Inspire 1 remote controller. It features an OLED screen and a host of control buttons.



[1] Antenna

Not used when the remote controller is connected to the Zenmuse X5.

[2] Power Button

Press and hold for 2 seconds to power on/off the remote controller.

[3] Communication Port

Communicates with the Zenmuse X5.

[4] Marking Ring

Used to provide marking scale.

[5] Focus Wheel

Used to adjust the lens of your camera.

[6] Micro USB Port

Used to charge or update the remote controller.

[7] Navigation Buttons

Allows you to navigate through menu items.

[8] Quick Focus Buttons

Assign focus points to buttons A, B, C and D for quick access.

[9] OLED Screen

Displays the menu, system status and battery level.

[10] Stiffness Control

Adjusts the stiffness of the focus wheel.

[11] System Status Indicator

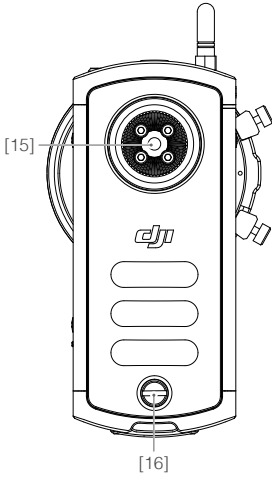
Indicates the system status of the remote controller.

[12] [13] Hard Stop Screws

Adjustable hard stops to limit the travel range of the focus wheel.

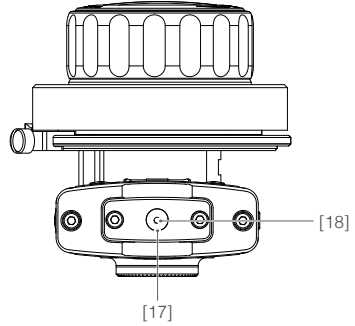
[14] Backlight

Illuminates the marking ring from behind.



[15] Rosette Mount
For mounting accessories.

[16] Rear Screw
Needs to be removed in order to take off the battery cover for battery replacement.



[17] Lanyard Hole
Used to attach the neck strap.

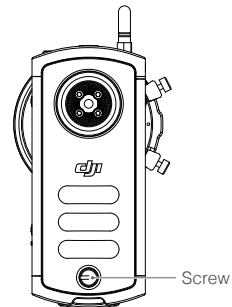
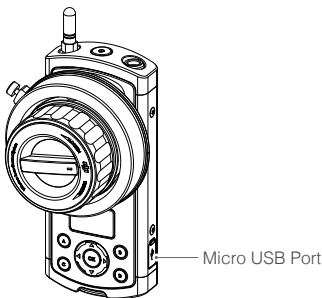
[18] Link Button
Used to enter forced update mode.

Getting Started

Charge the Battery

The remote controller contains a 1700 mAh battery that can power the device for up to 14 hours. Charge the battery through the Micro USB port located on the side and check the battery level on the OLED screen.

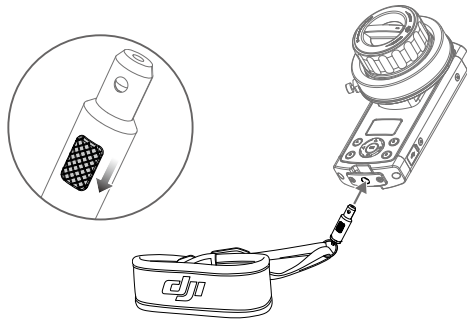
To replace the battery, remove the screw and battery cover on the back of the remote controller.



-
- ⚠
- Only use official DJI batteries that can be purchased on www.dji.com. DJI takes no responsibility for any damage to your devices caused by non-DJI batteries.
 - Never use swollen, leaky, or damaged batteries. If your batteries show any abnormal signs in performance, contact DJI or a DJI authorized dealer for assistance.
 - Never disassemble or pierce the battery in any way, or else the battery may leak, catch fire, or explode.
 - DO NOT attach the batteries to wall outlets or car charger sockets directly, and always use a DJI approved adapter. DJI takes no responsibility if the battery is charged using a third party charger.
-

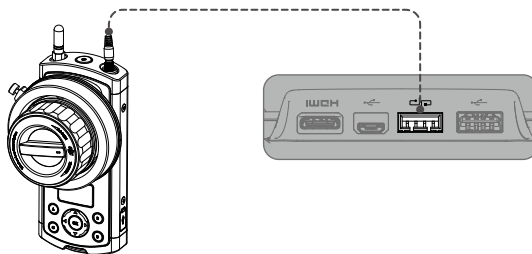
Attaching the Neck Strap

Pull down and hold the button on the neck strap connector, slide it through the mounting hole on the bottom of the remote controller, and then release the button.



Connection

To allow communication between the two devices, connect the communication port on the Focus remote controller to the CAN Bus port on the Inspire 1 remote controller using the dedicated CAN Bus cable.



-
- 💡
- Ensure that the Zenmuse X5 camera lens is set to AF mode.
 - In the DJI GO app, ensure the shooting mode is set to 'M' (manual) or 'A' (aperture priority).
-

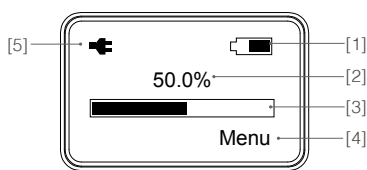
System Status Indicator

The system status indicator is a white LED that is located on the remote controller.

Remote Controller	Description
Solid light	RC is connected to the Zenmuse X5 and functioning normally. / Forced update.
Blinks quickly (4 times per second)	RC is disconnected from the Zenmuse X5. / RC is charging.

Settings

The Focus remote controller will display the following information when it is connected to the Inspire 1 Pro or Raw system.



- [1] Battery Level
- [2] Focus Wheel Travel Percentage
- [3] Focus Wheel Travel Bar
- [4] Main Menu
- [5] Connection Status

Zenmuse X5 Settings

Aperture: Enable or disable aperture control.

Direction: The lens motor's direction of rotation – normal or reversed.

Default: Restore the default lens motor parameters.

Settings

Power Off: Idle time before the remote controller auto-powers off-10 min, 30 min, 60 min or never.

Endpoints: The upper and lower travel limits of the focus wheel. Turn the focus wheel to the desired upper travel limit and select Set Point 1. Then, turn the focus wheel to the desired lower travel limit and select Set Point 2. Turning the focus wheel from Point 1 to Point 2 will rotate the camera focus by a full cycle.

LED Control: Enable or disable the LED and system status indicators on the remote controller.

Default: Restores the default settings for the remote controller.

About: Displays the current firmware version of the remote controller.

Quick Focus

Allows rapid switching between four preset focus points.



Assigning a Focus Point

Adjust the lens focus to the desired focus point by turning the focus wheel. Hold down one of the letters until it blinks to store the focus point. To reassign a focus point, press and hold the letter to discard its value, and then redo the first step.

Switching to a Focus Point

Press one of the letters to apply its assigned focus point. The OLED screen will display the active Quick Focus letter. The selected letter will light up and the remaining letters will blink rapidly. Press the active letter again to exit Quick Focus.



- After selecting a Quick Focus button, you can fine tune the focus by turning the focus wheel without changing its assigned value.
- There are mechanical limits on both the focus wheel and lens motor. If the lens does not respond to the focus wheel, check if the lens has reached its mechanical limit.

Aperture Control

Once aperture control is enabled, the 'D' button is used to switch between focus control and aperture control.

To switch from focus control to aperture control, press the 'D' button and then follow the instructions in the DJI GO app to operate the focus wheel.

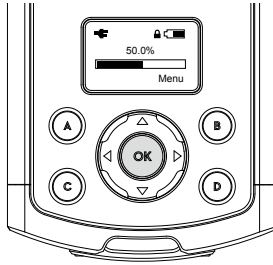


- ⚠ The remote controller overrides the in-app controls. You will not be able to adjust the focus, zoom or aperture in the DJI GO app.

Locking the Remote Controller

The remote controller can be locked to avoid unintentional operations. All controls except the power button and OK button are disabled in the locked state.

To lock the remote controller, press and hold the OK button until a lock icon appears on the OLED screen. Repeat this procedure to unlock the remote controller.

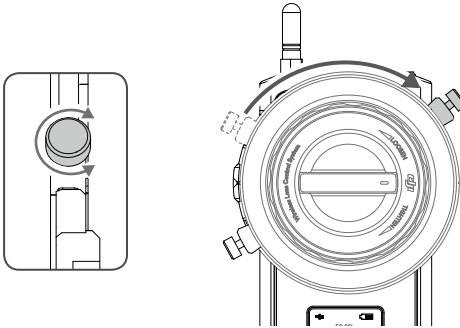


Focus Wheel Settings

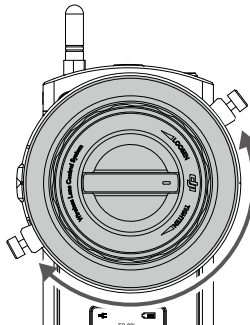
Setting Mechanical Limits

The two adjustable hard stop screws around the focus wheel can be used to limit the travel range physically.

1. Loosen the hard stop screws, slide them to the desired positions and tighten.

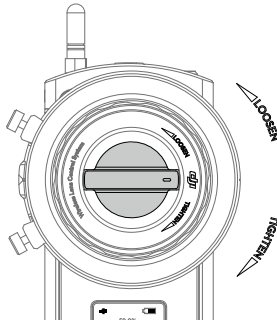


2. The travel range of the focus wheel is now limited to the distance between the two hard stop screws.



Adjusting the Stiffness

Turn the control knob at the center while holding the focus wheel to adjust the stiffness of the wheel. Adjust the focus wheel until it reaches a stiffness or looseness that feels comfortable.



Firmware Update

The DJI Focus firmware can be updated through the DJI PC/MAC Assistant.

Installing the DJI PC/MAC Assistant

Windows

1. Download the DJI WIN DRIVER INSTALLER and Assistant from the DJI Focus product page on DJI.com.
2. Double click the Assistant installer and follow the steps to finish the installation. Then, launch the Assistant.



The Assistant installer can be used on Windows XP (32 or 64 bit) or above.

Mac OS X

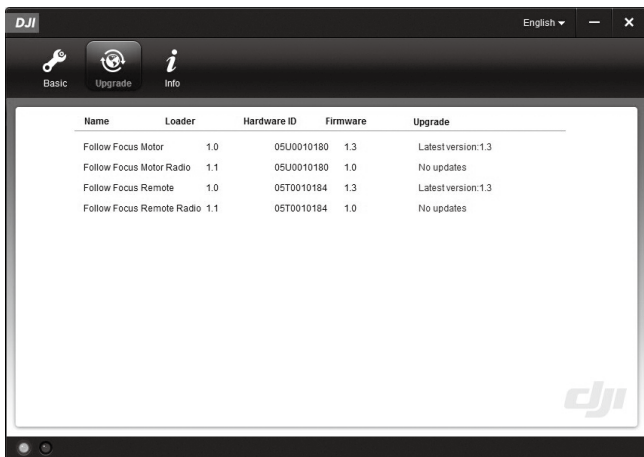
1. Download the Assistant installer (.DMG) from DJI.com, and then run the installer and follow the prompts to finish the installation.
2. When launching for the first time, if using Launchpad to run the Assistant, Launchpad will block access because Assistant has not been reviewed by the App Store. Locate the Gimbal icon using the Finder, press Control, then click the icon (or right-click the icon using a mouse). Choose Open from the shortcut menu, then click Open in the dialog box to launch the program.
3. After the first successful launch, double click the Gimbal icon, as usual, to launch the program using the Finder or Launchpad.



The DMG installer supports Mac OS X 10.9 or above.

Upgrade

You can view the latest firmware versions of all components on this page.



Upgrading the Remote Controller

Turn on the controller and connect it to your computer via the Micro-USB cable and wait until the indicator LED in the Assistant blinks blue. Click Upgrade to upgrade the Follow Focus Remote, and then upgrade the Follow Focus Remote Radio.

Forced Upgrade

Use Forced Upgrade if the remote controller firmware upgrade fails. To initiate Forced Upgrade, power on the remote controller while holding down the link button.

-
- ⚠ • Ensure your PC is connected to the Internet.
 - Close any antivirus programs and network firewalls.
 - Ensure that the controller is powered on during the upgrade.
 - Do not disconnect the USB cable during the upgrade.
-

Specifications

General	
Operating Frequency	2.415-2.473 GHz
Transmitter Power	14 dBm
Operating Temperature	-20° to 55° C
Remote Controller	
Weight	745 g
Dimensions	153×86×90 mm
Battery	Model: FB01-554461 LiPo 3.7 V, 1700 mAh, 6.29 Wh

The content is subject to change.

Download the latest version from
<http://www.dji.com/product/focus>



If you have any questions about this document, please contact DJI
by sending a message to DocSupport@dji.com.

© 2015 DJI. All Rights Reserved.